

# Life Science

Afos laboratory systems are among the very best, installed in pharmaceutical and medical facilities across the world. Afos products are designed to provide optimum protection both to the user, product and the environment.



# Pass Through Hatch

AFOS

Website: [www.afosgroup.com](http://www.afosgroup.com) / Email: [info@afosgroup.com](mailto:info@afosgroup.com)

## Why AFOS

AFOS have a global reputation for the design and manufacture of high quality stainless steel medical equipment.

AFOS specialise in providing a total design, manufacture and installation service of life science, pharmaceutical and barrier control equipment.

AFOS have successfully provided solutions for global healthcare, research and pharmaceutical markets.

Active in partnering with contractors / architects to realise PFI opportunities through out the UK.

AFOS product exceeds all current HSE standards maintaining maximum protection for the technician.

The innovative AFOS down draught technology helps eliminate odours and contains harmful pathogens, ensuring the highest possible level of clinical effectiveness is achieved.

## Overview

- Durable and functional
- Integrates into working environment
- Highly personalised approach to design and installation requirements

## Design

- Designed to ensure that a sterile, clean barrier is maintained between differing environments
- Manufacturing technique ensures fully radiused construction
- Simple and efficient chamber
- Designed to withstand heavy, regular everyday usage
- Available in any size, shape or configuration

## Door Interlock System

- Mechanical with status indicator lamps
- Mechanical without status indicator lamps
- Electrical security system with solenoid locks

## Material Options

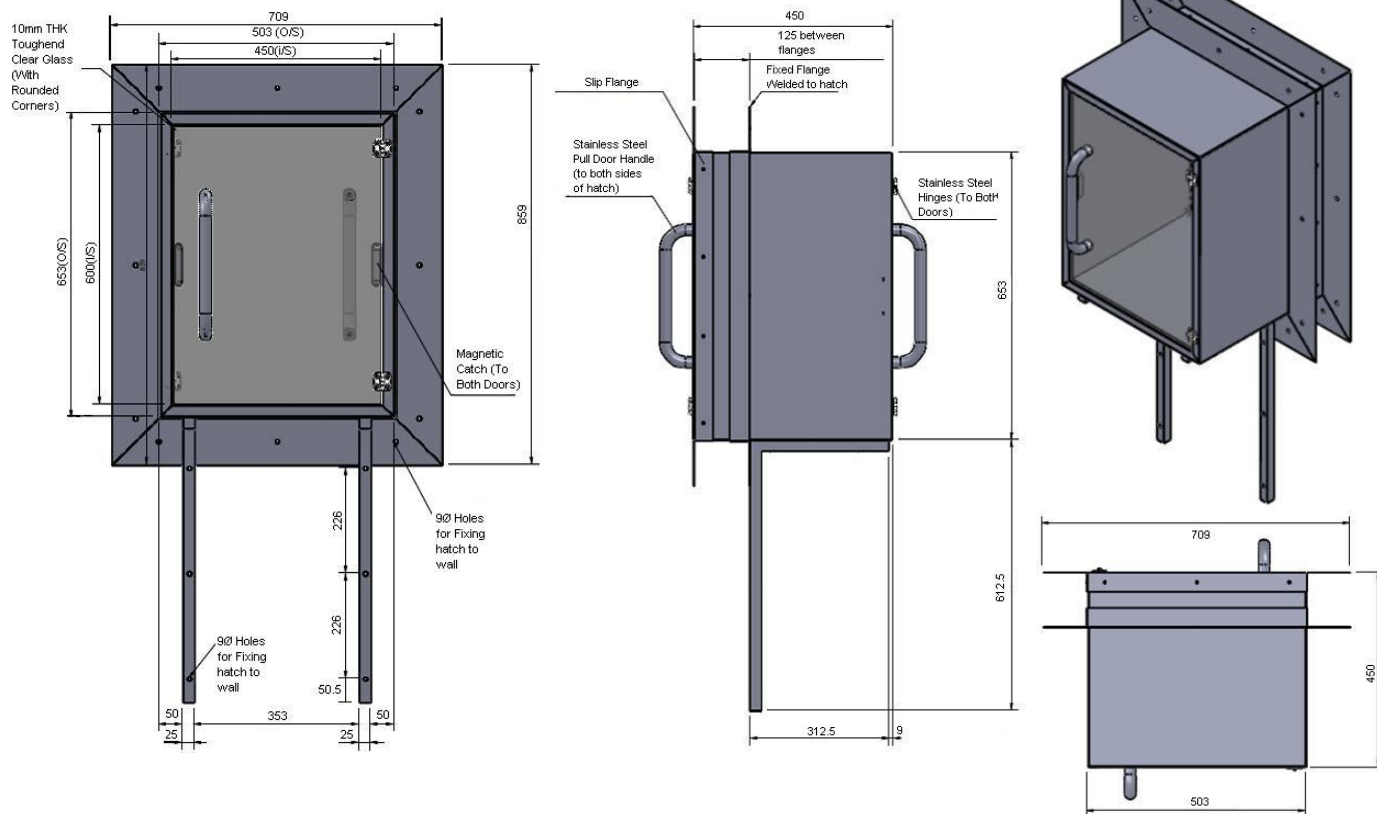
- Trespa
- Corian
- Stainless steel
- Avron



## Fumigation Options

- Fumigation functions can be incorporated for environments which require critical control
- Various sterilising systems including:
  - Ultraviolet
  - Peracetic Acid
  - Tegodor

## Pass Through Hatch



### Technical Specifications

#### Corian Option

- Main body formed from 13mm thick, white corian to provide fully radiused internal and external corners
- Clean side fitted with a fixed perimeter flange for flush fitting to the wall finish
- Protective membrane coatings applied
- Flange perimeter is sealed to the wall with either silicone or polysulphide mastic

#### Stainless Steel Option

- Constructed from High quality 316 grade stainless steel
- Durable, easy to clean surface
- Unit is fully welded and polished to give clean, smooth appearance
- When fitted into a wall it provides a transfer tube for the passing of materials from one room to another with different pressures

### Solid Laminate Option

- Constructed from 16mm thick block laminate
- Clear acrylic or glass doors
- When fitted into a wall it provides a transfer tube for the passing of materials from one room to another with different pressures

### Variations

- AFOS design and fabricate equipment to suit the customer's requirements and can supply a pass through hatch in different sizes and materials
- Optional extra—316 grade Stainless Steel liner
- Can be manufactured in a wide variety of sizes, starting at 600mm<sup>2</sup> through to units which allow for trolleys to be passed through

### Further information

If you require any further information on the product range available from AFOS, contact our Sales Department:

Tel: +44 (0) 1482 372100

E-mail: [info@afosgroup.com](mailto:info@afosgroup.com)

Website: [www.afosgroup.com](http://www.afosgroup.com) / Email: [info@afosgroup.com](mailto:info@afosgroup.com)

## Why AFOS

AFOS have a global reputation for the design and manufacture of high quality stainless steel medical equipment.

AFOS specialise in providing a total design, manufacture and installation service of life science, pharmaceutical and barrier control equipment.

AFOS have successfully provided solutions for global healthcare, research and pharmaceutical markets.

Active in partnering with contractors / architects to realise PFI opportunities through out the UK.

AFOS product exceeds all current HSE standards maintaining maximum protection for the technician.

The innovative AFOS down draught technology helps eliminate odours and contains harmful pathogens, ensuring the highest possible level of clinical effectiveness is achieved.

## Overview

Used for passing specimens through a disinfectant liquid, whilst maintaining a seal between the atmospheres of the rooms which it sits between.

## Construction

- Manufactured from 316 stainless steel
- Large disinfectant container with an integral weir to provide a barrier to stop the cross contamination of the air from two areas
- 2 parts divided by a plastic viewing screen
- Operators can see what is happening both sides of tank
- Lid at each side sealed by two compression latches
- Electro-mechanically interlocked drain enables drain to be emptied only when lab side is locked down

## Key Features

- Easily operated, serviced and disinfected
- Readily accessible for draining and cleaning
- Constructed from high quality stainless steel

## Further information

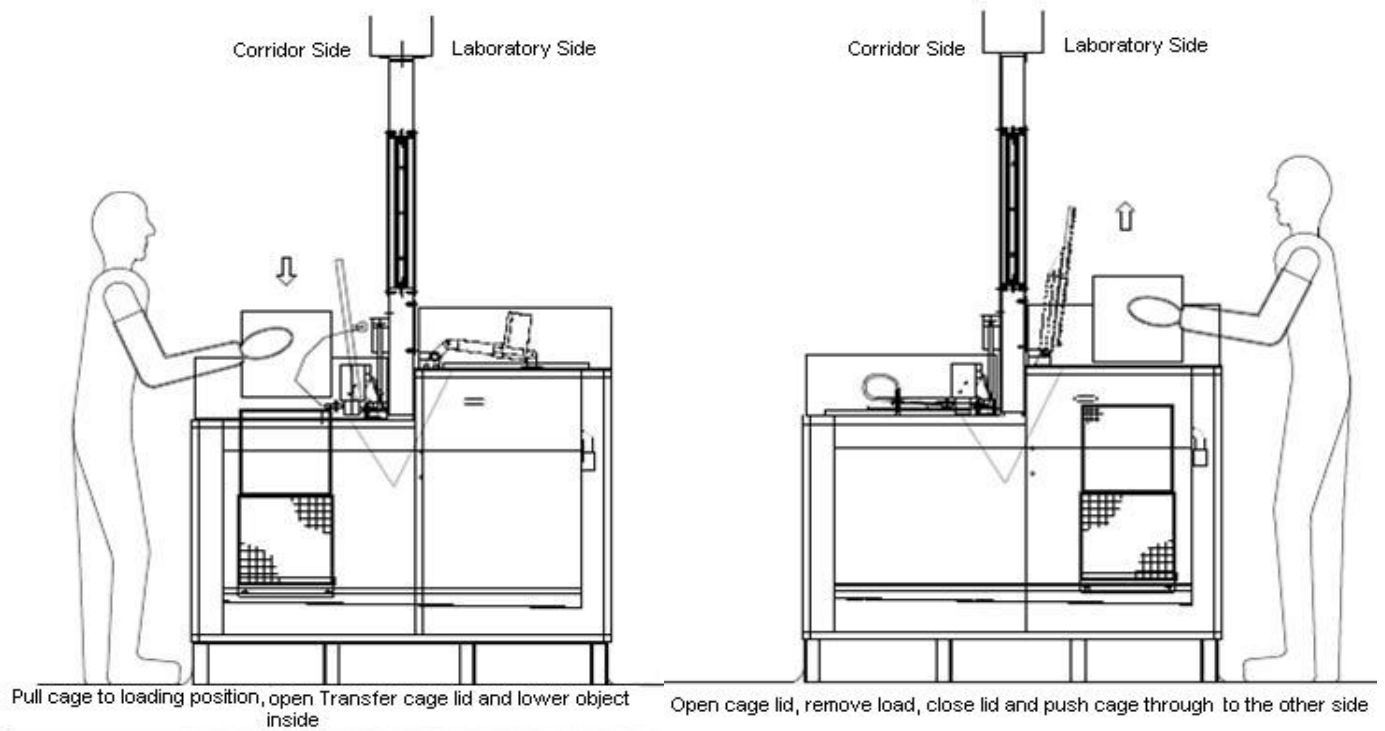
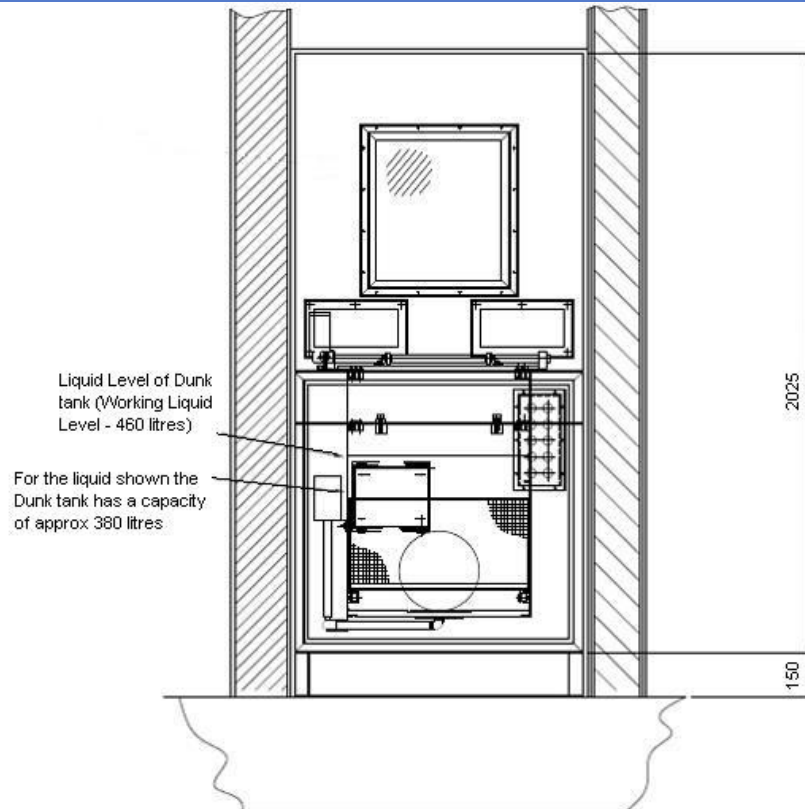
If you require any further information on the product range available from AFOS, contact our Sales Department:

Tel: +44 (0) 1482 372100

E-mail: [info@afosgroup.com](mailto:info@afosgroup.com)



## Dunk Tanks



# Step Over Barrier

AFOS

Website: [www.afosgroup.com](http://www.afosgroup.com) / Email: [info@afosgroup.com](mailto:info@afosgroup.com)

## Why AFOS

AFOS have a global reputation for the design and manufacture of high quality stainless steel medical equipment.

AFOS specialise in providing a total design, manufacture and installation service of mortuary and pathology equipment including autopsy tables and body storage.

AFOS have successfully provided solutions for global healthcare and are active in realising PFI opportunities throughout the UK. AFOS not only meet existing health and safety standards, we exceed them thus maintaining maximum protection for the clinician. The innovative AFOS down draught technology helps eliminate odours and controls harmful pathogens, ensuring the highest possible level of clinical effectiveness is achieved.

## Overview

- Durable and functional
- Integrates into working environments
- Highly personalised approach to design and installation requirements

## Design

- Designed to facilitate efficient movement from one controlled environment to another
- Designed at a comfortable height to enable operatives passing from one area to another to sit easily whilst removing footwear
- Incorporates a storage unit for clean and dirty footwear

## Material Options

- Trespa
- Corian
- Stainless Steel



## Further information

If you require any further information on the product range available from AFOS, contact our Sales Department:

Tel: +44 (0) 1482 372100

Email: [info@afosgroup.com](mailto:info@afosgroup.com)





# Surgery Heated Pads

AFOS

Website: [www.afosgroup.com](http://www.afosgroup.com) / Email: [info@afosgroup.com](mailto:info@afosgroup.com)

## Why AFOS

AFOS have a global reputation for the design and manufacture of high quality stainless steel medical equipment.

AFOS specialise in providing a total design, manufacture and installation service of mortuary and pathology equipment including autopsy tables and body storage.

AFOS have successfully provided solutions for global healthcare and are active in realising PFI opportunities throughout the UK.

AFOS not only meet existing health and safety standards, we exceed them thus maintaining maximum protection for the clinician.

The innovative AFOS down draught technology helps eliminate odours and controls harmful pathogens, ensuring the highest possible level of clinical effectiveness is achieved.

## Overview

- The temperature controlled surgery pad ensure and maintain the desired level throughout the procedure
- The corian pad with its integrated heating element ensures the even spread of heat across the total surgery surface, eliminating hot spots
- A digital controller, displays the actual and set point achieved by the pad
- Should they move out of the pre-set ranges, audible and visible alarms are activated
- Temperature is accurate to within  $\pm 0.5^{\circ}\text{C}$
- The unit is password protected, the programme can be locked to ensure all procedures are performed to a set temperature. If the temperature rises above the pre-set limit the pad is automatically switched off
  
- Temperature control accurate to within  $\pm 0.5^{\circ}\text{C}$
- Password protected heat setting
- Even spread of heat across the surgical pad
- Easy to clean and maintain
- Free standing unit or inset into the down draught work surface

## Further Information

If you require any further information on the AFOS product range, contact our Sales Department

Tel: +44 (0)1482 372100

Email: [info@afosgroup.com](mailto:info@afosgroup.com)



AFOS reserve the right to alter the specifications above without notice





# Fibre Optic Surgery Lights

AFOS

Website: [www.afosgroup.com](http://www.afosgroup.com) / Email: [info@afosgroup.com](mailto:info@afosgroup.com)

## Why AFOS

AFOS have a global reputation for the design and manufacture of high quality stainless steel medical equipment.

AFOS specialise in providing a total design, manufacture and installation service of mortuary and pathology equipment including autopsy tables and body storage.

AFOS have successfully provided solutions for global healthcare and are active in realising PFI opportunities throughout the UK.

AFOS not only meet existing health and safety standards, we exceed them thus maintaining maximum protection for the clinician.

The innovative AFOS down draught technology helps eliminate odours and controls harmful pathogens, ensuring the highest possible level of clinical effectiveness is achieved.

## Overview

A benchmark in the field of 150-Watt light sources  
Compact and cost-effective, with outstanding design and excellent function and performance parameters – these are the main features of the KL 1500 LCD.

Display for color temperature and operating modes, electronic and mechanical light control, as well as new maximum light level are just a few of the special advantages of this light source.

Constant light flux output is maintained independent of fluctuations in the supply voltage network ( $\pm 10\%$ ).

The time tested features of SCHOTT light sources have been implemented again in the KL 1500 LCD

## Key Features

- Easy and reproducible operation.
- Functional lamp compartment for quick lamp replacement.
- Filter drawer for selection of colour filters.
- Swing-input optics for homogenization of light input.
- Easy stacking capability with access to all features and functions.
- The design of a low-noise fan in combination with optimum air venting at the back of the unit helps contribute to quiet and pleasant working conditions.

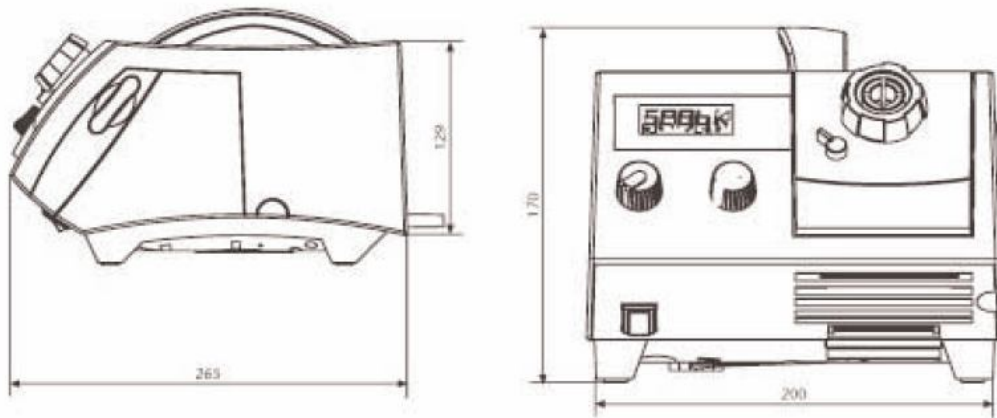
## Further Information

If you require any further information on the AFOS product range, contact our Sales Department:

Tel: + 44 (0)1482 372100  
Email: [info@afosgroup.com](mailto:info@afosgroup.com)



## Fibre Optic Surgery Lights



### Type Designation

Dimensions (W x D x H) (mm)Ca. 200 x 265 x 170/Ca.  
 Inches 7.9" x 10.4" x 6.7"  
 Weight (kg) Approx. 4.8  
 Cooling Low-noise fan

### Electrical Data

Operating voltage -  
 120 volt version 100 V ~ 50/60 Hz, 120 V ~ 60 Hz  
 230 volt version 220 V ... 240 V ~ 50/60 Hz

### Protection Class

Lamp type II  
 Halogen reflector lamp Type  
 EFR  
 Lamp voltage rating (V) 15  
 Lamp power rating (W) 150  
 Average lamp level 4 (h) 1500  
 Service life level 5 (h) 150

### Illumination Data

Light flux (lm) 600  
 Light control Electrical and mechanical  
 Active light guide diam. (mm)/(inch) Max. 9/Max. 0.35"

### Certification Marks

120 volt version CSA (C/US)  
 230 volt version CE, CSA

### Further Information

If you require any further information on the AFOS product range, contact our Sales Department:

Tel: + 44 (0)1482 372100  
 Email: [info@afosgroup.com](mailto:info@afosgroup.com)

# Surgical Lights

Brandon—Optica 388w

AFOS

Website: [www.afosgroup.com](http://www.afosgroup.com) / Email: [info@afosgroup.com](mailto:info@afosgroup.com)

## Why AFOS

With AFOS exposure to both hazardous fumes and airborne pathogens are controlled to limits that are an order of magnitude less than [COSHH][OSHA] levels. AFOS down draft technology is designed to improve working conditions, where there is exposure to hazardous fumes and airborne pathogens, providing a safe operator environment.

## Overview

Medical quality magnifying luminaries suitable for a variety of intricate and close-up examinations. Medical Quality Magnifiers - Designed for and tested to all relevant medical safety standards including EN 60601 (Medical Devices) and EN 60598.

High Quality Light - Compact fluorescent tubes create cool, natural light ideal for intricate medical procedures. Fully Enclosed Arm - With no visible springs the Optica is very easy to clean and maintain. The arm offers excellent maneuverability and positioning accuracy. Enclosed springs all have adjustable friction joints.

“Shadowless” Performance - Obstructions are under-lit and their shadows reduced through the use of tri-directional 3D lighting (Optica-388 models only).

Low Distortion Lens - Ideal for medical examinations, a low distortion lens allows for accurate visualisation of a wound area with none of the chromatic aberration found in cheaper lenses. Optica-288 available with optional 12 Diopter 30mm bifocal lens for intricate procedures.



## Technical Information

	Optica-288	Optica-388
No. of Diopters	4	31
Lens Size Bulb	120mm diameter	62 x 105mm
Weight Load	22 Watt Fluorescent Tube	3 x 9 watt Fluorescent Tube
Mains Lead	3.1KG 230V / 50Hz 3m	4.6Kg 230V / 50HZ 3m

## Further Information

If you require any further information on the AFOS product range, contact our Sales Department:

Tel: + 44 (0)1482 372100  
Email: [info@afosgroup.com](mailto:info@afosgroup.com)

AFOS reserve the right to alter the specifications above without notice



# Surgical Lights

## Brandon—High Definition LED Surgical Light

AFOS

Website: [www.afosgroup.com](http://www.afosgroup.com) / Email: [info@afosgroup.com](mailto:info@afosgroup.com)

### Why AFOS

With AFOS exposure to both hazardous fumes and airborne pathogens are controlled to limits that are an order of magnitude less than [COSHH][OSHA] levels. AFOS down draught technology is designed to improve working conditions, where there is exposure to hazardous fumes and airborne pathogens, providing a safe operator environment.

### Overview

Astralite HD-LED® retains all the unique features of the halogen Astralite such as the large movement range and anti-microbial technology molded in the lamp head, but also uses the latest LED technology to provide the following:

- **Full Spectrum Colour Rendition**  
The first LED lighting with near perfect colour rendition across the full visible spectrum.
- **Fat Beam Illumination**  
Big, adjustable light beams with more light across the full width of the illuminated area. This allows for uniform vision across the full illuminated area.
- **Red Balance Control**  
Red balance enhancement compensates for our natural weakness in distinguishing shades of red for optimum visualization of red tissues,
- **Cold Light**  
LED's do not emit infra red light thus producing 'cold light', i.e. light from the visible spectrum without heat rays.
- **Long Life**  
Life of LED's is around 30,000 hours which would be the lifetime of the product.
- **Efficiency**  
HD-LED is massively efficient at producing more surgical quality light for less power ensuring the light is both economical and environmentally friendly. Using less than 30W the Astralite HD-LED® is a massive 3 times reduction in power consumption in comparison to halogen.
- **Solid State Focusing**  
World's first patented technology using LEDs with different beam shapes, superimposed on top of each other. This produces an extremely effective and reliable focus system with a big range of adjustment.
- **Economical**  
Never having to change a bulb for the lifetime of the product means that Astralite LED is highly economical. HD-LED® is substantially more efficient at producing more surgical quality light for less power.
- **Shadow Control** by spreading the LEDs across the whole lighting surface, a much better distribution of light is provided from the lamp head. This enables excellent shadow control to under-light obstructions during procedures.
- **Anti-microbial incorporating Polygiene™**  
Incorporating Polygiene™ anti-microbial technology to destroy harmful bacteria, viruses and yeasts.



### Technical information

Lux @ 1m =	50,000
Beam Size Variable =	180mm - 360mm
Variable Intensity =	10% -100%
Colour Rendition R =	95

Solid state focus system

### Further Information

If you require any further information on the AFOS product range, contact our Sales Department:

Tel: + 44 (0)1482 372100  
Email: [info@afosgroup.com](mailto:info@afosgroup.com)





## Why AFOS

AFOS have a global reputation for the design and manufacture of high quality stainless steel medical equipment.

AFOS specialise in providing a total design, manufacture and installation service of life science, pharmaceutical and barrier control equipment.

AFOS have successfully provided solutions for global healthcare, research and pharmaceutical markets.

Active in partnering with contractors / architects to realise PFI opportunities through out the UK.

AFOS product exceeds all current HSE standards maintaining maximum protection for the technician. The innovative AFOS down draught technology helps eliminate odours and contains harmful pathogens, ensuring the highest possible level of clinical effectiveness is achieved.

## Overview

The Ventilated Allergen Table is designed for pathological and histological dissection and staining, allergen of specimens. Providing complete open bench working, with access from either side when used in island or peninsular situations.

The Ventilated Allergen Table is designed with a coarse modular plate as standard with a fine perforated tops as an optional extra manufactured to mirror the coarse modular plate in size.

The unit is supported in a stainless steel frame, which is adjustable for levelling using the adjustable feet.

## Ventilation

Ventilation is by means of a raised duct within the sump and is protected by a removable cowl. When specified a duct take-off manifold is fitted beneath the sump, manufactured in UPVC complete with a removable, front access panel to permit entry into the duct.

The UPVC extract duct can be either rear take-off or side take-off, to accommodate site conditions.

The Ventilated Allergen Table shall be totally free standing, requiring no special fixing to floor or wall.

## Standard Fittings

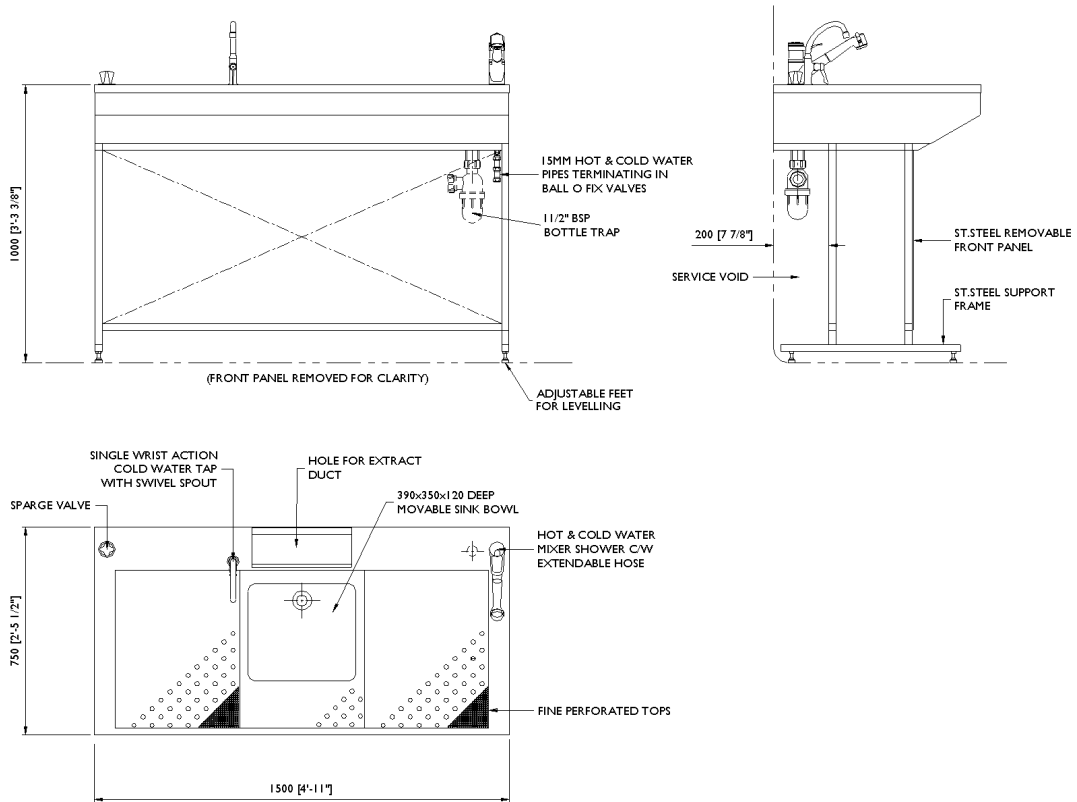
- Hot and cold water shower mixer
- Fine Perforated worktop
- Sparge wash down system
- Adjustable feet

## Optional Extras Include:

- Electronic height adjustment
- Cutting board / Writing board
- Instrument tray
- Staining trough
- Under bench cabinets
- Extract duct system with fan and airflow alarm system



## Allergen Table



### Material Specification

#### Dimensions

Length: 1200mm / 1500mm\*  
 Width: 750mm  
 Height: 210mm

\*These dimension apply to the AFOS standard range, if a variation to these dimensions is required, please contact AFOS for further information.

#### Specification

Trough: 1.5mm (16SWG) 316 grade Stainless Steel, fully welded and polished  
 Outer Casing: 1.2mm(18SWG) Perforated 316 grade Stainless Steel, fully welded and polished  
 Worktop: 1.2mm (18SWG) perforated 316 grade Stainless Steel  
 Sink (Optional): 316 grade Stainless Steel, fully welded and polished

### Technical Specification

#### Water Pressure

Recommended water pressure  
 1.0Bar min and 3.0 Bar max  
 Water connection, hot and cold, 15mm

#### Drainage connection

Sump: 1/2" BSP screwed connection

#### Extract performance Data

Face Velocity: 0.33m/sec  
 Resistance (excluding ducting): 60 Pascals  
 Extract Volume: Dependent on design, please contact AFOS for further information

#### Services

Services to the Ventilated Workstation provided, are as scheduled. All scheduled services are finished with 22mm copper pipe tails and waste to sump 1/2" BSP, waste to Sink 2" BSP.

#### Further information

If you require any further information on the product range available from AFOS, contact our Sales Department:

Tel: +44 (0) 1482 372100  
 E-mail: [info@afosgroup.com](mailto:info@afosgroup.com)

# Ventilated Surgery Table

AFOS

Website: [www.afosgroup.com](http://www.afosgroup.com) / Email: [info@afosgroup.com](mailto:info@afosgroup.com)

## Why AFOS

AFOS have a global reputation for the design and manufacture of high quality stainless steel medical equipment.

AFOS specialise in providing a total design, manufacture and installation service of mortuary and pathology equipment including autopsy tables and body storage

AFOS have successfully provided solutions for global healthcare and are active in realising PFI opportunities throughout the UK

AFOS not only meet existing health and safety standards, we exceed them thus maintaining maximum protection for the clinician.

The innovative AFOS down draught technology helps eliminate odours and controls harmful pathogens, ensuring the highest possible level of clinical effectiveness is achieved.

## Overview

- Mobile
- Recirculating Surgery Table

## Standard Fittings:

- Perforated work area
- Inset Corian work tray c/w integrated heated pad
- Dual flow meter
- 4 off locking castors
- Particle filter (G4)
- Carbon Filter
- Selecta tech Vaporizer mounting block
- Gas Bottles Mounts
- Scavenging Port
- Control System

## Optional Extras

- Gas Bottle Mounts
- Vapouriser
- LCD Motor and Arm
- Electric socket
- Adjustable height
- Extract via remote fan



Note: Picture shows re-circulating version of Ventilated Surgery Table

## Further Information

If you require any further information on the AFOS product range contact:

Tel: + 44 (0)1482 372100  
E-mail: [info@afosgroup.com](mailto:info@afosgroup.com)

AFOS reserve the right to alter the specifications above without notice



# Inhalant Anaesthetic System

## Mobile

AFOS

Website: [www.afosgroup.com](http://www.afosgroup.com) / Email: [info@afosgroup.com](mailto:info@afosgroup.com)

### Why AFOS

AFOS have a global reputation for the design and manufacture of high quality stainless steel medical equipment.

AFOS specialise in providing a total design, manufacture and installation service of mortuary and pathology equipment including autopsy tables and body storage

AFOS have successfully provided solutions for global healthcare and are active in realising PFI opportunities throughout the UK. AFOS not only meet existing health and safety standards, we exceed them thus maintaining maximum protection for the clinician.

The innovative AFOS down draught technology helps eliminate odours and controls harmful pathogens, ensuring the highest possible level of clinical effectiveness is achieved.

### Key Features:

- Precise, consistent, preset flow rate from each outlet
- Easy to use
- Fixed flow rates are set
- Each output is individually controlled with simple on/off switch
- Flowmeters allow for manual adjustment
- Minimum opportunity for operator error
- Low flow gas protects personnel
- Pushbutton oxygen flush purges the induction chamber before removal of the animals

### Overview

- Oxygen Source that can be supplied from an in-house line or tank. The oxygen functions as a carrier for the anaesthetic gas and serves as a blending agent to control the concentration of anaesthetic
- Oxygen Regulator controls the pressure of oxygen from its source into the flowmeter that inputs into the vaporizer
- Flowmeter A controls the flow rate of oxygen into the vaporizer
- Vaporizer precisely blends oxygen and the anaesthetizing liquid to create an anaesthetic gas at the exact concentration level required
- Manifold distributes anaesthetic gas to the induction chamber and the breathing devices
- Flowmeter B controls the flow rate of the anaesthetic gas output from the vaporizer manifold to the induction chamber
- Induction Chamber facilitates initial anesthetizing of animal before placing on a surgical bed for procedure (Pictured with a chamber warmer to maintain animal body temperature)
- Oxygen Flush purges the induction chamber of anaesthetic gas to ensure that no anaesthetic is released into the room when transferring the animals from the chamber to the surgical bed
- Breathing Device delivers precisely controlled anaesthetic gas to the animal
- AFOS Corian Surgical Pad acts as a stable surface, heated for precise control of body temperature during procedures

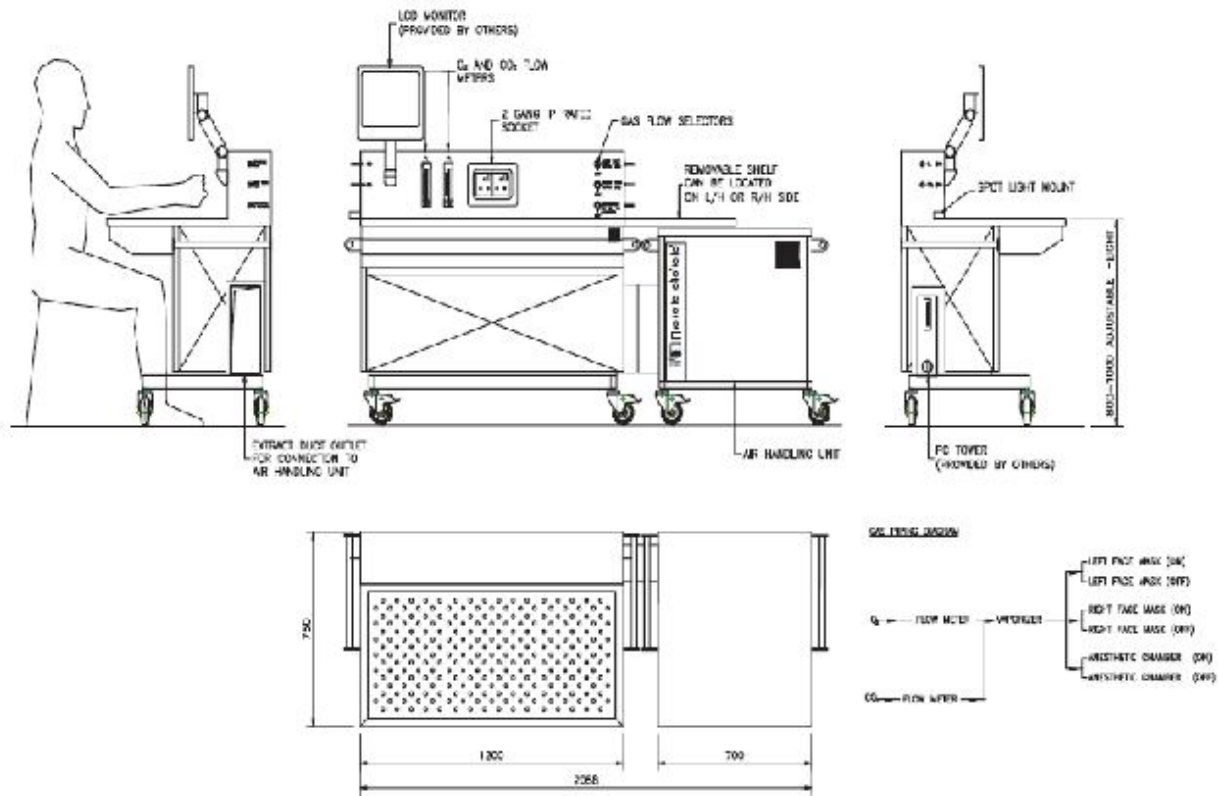
### Optional:

- Charcoal Filter captures anaesthetic gas from all components preventing escape of gas into the room





# Inhalant Anaesthetic System



## Material Specification

### Table Dimensions

Length: 1200mm\*

Width: 750mm\*

Height: Adjustable

\*Table can be manufactured to specific customer requirements.

### Framework

20/25/50 304-grade Stainless Steel square hollow section, welded and polished.

### Plenum / Sump

1.5mm (16SWG) thick 316 Grade Stainless Steel, welded and polished.

### Coarse Worktop

1.5mm (16SWG) thick 316 Grade Stainless Steel, welded and polished

### Fine Worktop

1.5mm (16SWG) thick 316 Grade Stainless Steel, welded and polished

### Extract Duct / Duct Plenum

UPVC—Colour Grey

## Technical Specification

### Air Speed

Coarse perforated worktop: -0.33m/sec (as standard\*)

Fine perforated worktop: -0.33m/sec (as standard\*)

\*Air speed can be customised to specific customer requirements.

### Further information

If you require any further information on the product range available from AFOS, contact our Sales Department:

Tel: +44 (0) 1482 372100

Email: [info@afosgroup.com](mailto:info@afosgroup.com)

# Stereotaxic Table

AFOS

Website: [www.afosgroup.com](http://www.afosgroup.com) / Email: [info@afosgroup.com](mailto:info@afosgroup.com)

## Why AFOS

AFOS have a global reputation for the design and manufacture of high quality stainless steel medical equipment. AFOS specialise in providing a total design, manufacture and installation service of mortuary and pathology equipment including autopsy tables and body storage.

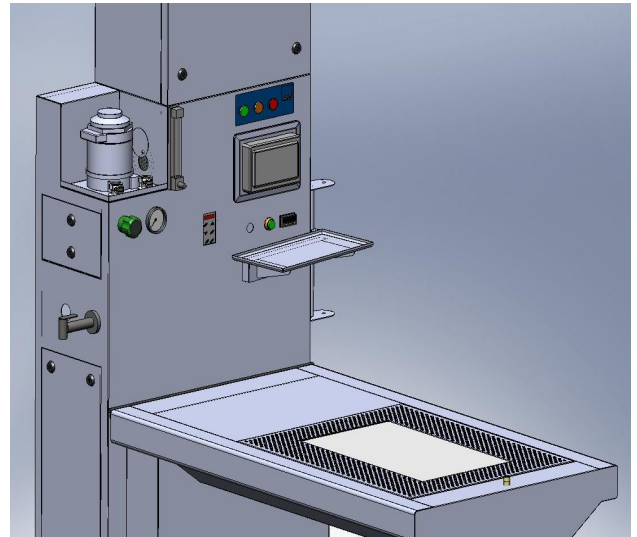
AFOS have successfully provided solutions for global healthcare and are active in realising PFI opportunities throughout the UK. AFOS not only meet existing health and safety standards, we exceed them thus maintaining maximum protection for the clinician. The innovative AFOS down draught technology helps eliminate odours and controls harmful pathogens, ensuring the highest possible level of clinical effectiveness is achieved.

## Overview

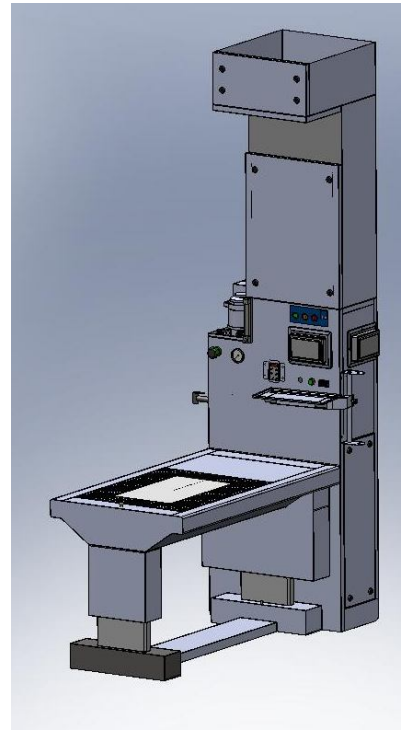
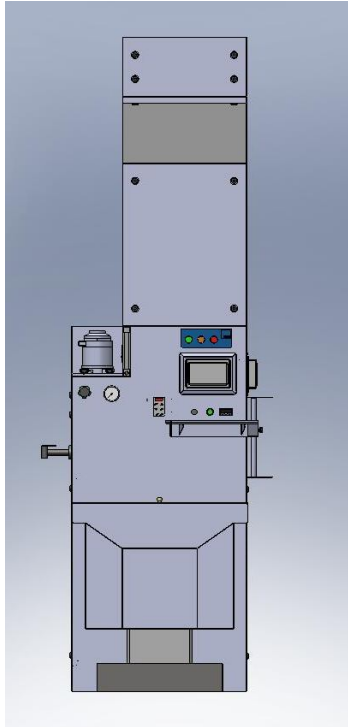
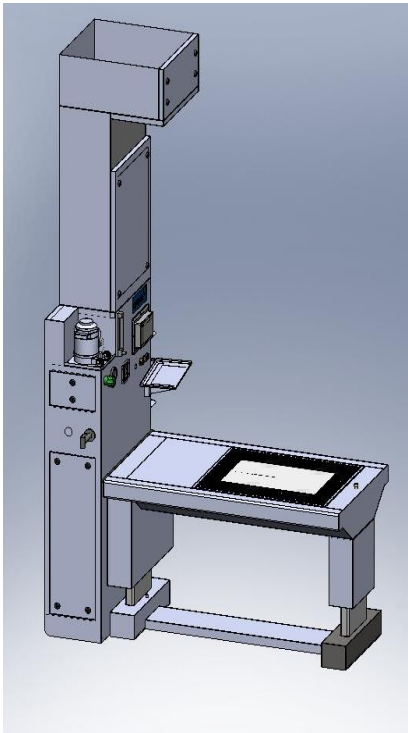
- Vibration free
- Air filtration pre-filter and HEPA filter
- Peripheral downdraught
- Solid or ventilated work surface for Stereotaxic equipment

## Standard Fittings

- Internal sump irrigation system
- Cold water tap (wrist operated)
- Hot and cold mixer shower tap
- Stainless steel support frame, side and front cover panel
- Sink bowl (533mm x 381mm x 200mm fitted to either left or right hand side (to be specified at time of order)
- Extract take off manifold
- 316 grade stainless steel Infill worktops either side to accommodate site sizes
- Adjustable feet for final site levelling



## Stereotaxic Table



### Material Specification

#### Table Dimensions

Table can be manufactured to specific customer requirements.

#### Framework

20/25/50 304-grade Stainless Steel square hollow section, welded and polished.

#### Plenum / Sump

1.5mm (16SWG) thick 316 Grade Stainless Steel, welded and polished.

#### Coarse Worktop

1.5mm (16SWG) thick 316 Grade Stainless Steel, welded and polished

#### Fine Worktop

1.5mm (16SWG) thick 316 Grade Stainless Steel, welded and polished

#### Extract Duct / Duct Plenum

UPVC—Colour Grey

### Technical Specification

#### Air Speed

Coarse perforated worktop: -0.33m/sec (as standard\*)

Fine perforated worktop: -0.33m/sec (as standard\*)

\*Air speed can be customised to specific customer requirements.

### Further information

If you require any further information on the product range available from AFOS, contact our Sales Department:

Tel: +44 (0) 1482 372100

E-mail: [info@afosgroup.com](mailto:info@afosgroup.com)

## Why AFOS

AFOS have a global reputation for the design and manufacture of high quality stainless steel medical equipment. AFOS specialise in providing a total design, manufacture and installation service of life science, pharmaceutical and barrier control equipment.

AFOS have successfully provided solutions for global healthcare, research and pharmaceutical markets. Active in partnering with contractors / architects to realise PFI opportunities through out the UK.

AFOS product exceeds all current HSE standards maintaining maximum protection for the technician. The innovative AFOS down draught technology helps eliminate odours and contains harmful pathogens, ensuring the highest possible level of clinical effectiveness is achieved.

## Overview

- Downdraught ventilated work surface with added protection of a pull down canopy to eliminate aerosol risk
- Tundish for the collection of spent chemicals
- Ergonomically designed for use whether seated or standing

## Ventilation

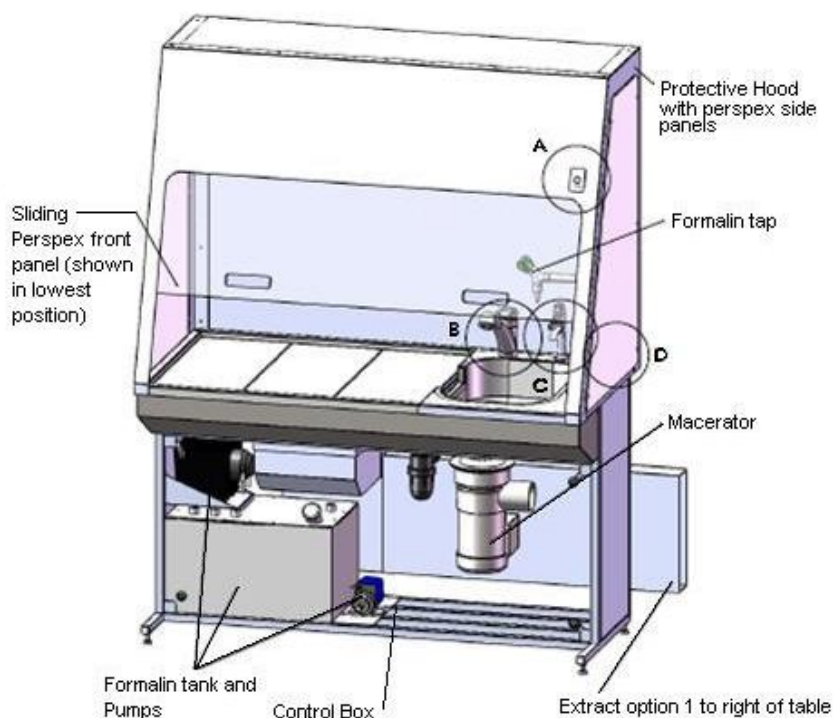
- Perforated work top located above sump
- Worktop manufactured in sections for ease of removal
- Sump irrigation system
- Ventilation by means of raised duct within the sump, protected by removable cowl
- Extract duct can be either rear take-off or side take-off, to accommodate site conditions

## Standard Fittings Include:

- Hot and Cold Mixer Shower Tap
- Cold water Sump Irrigation System
- Set of Fine Perforated Worktops
- Easily removable front and side panels as required



## Primate Table



Tank Fill Button  
Detail A



Mixer Tap  
Detail B



Wrist Tap  
Detail C



Sparge Tap  
Detail D

### Material Specification

#### Table Dimensions

Table can be manufactured to specific customer requirements.

#### Framework

20/25/50 304-grade Stainless Steel square hollow section, welded and polished.

#### Plenum / Sump

1.5mm (16SWG) thick 316 Grade Stainless Steel, welded and polished.

#### Coarse Worktop

1.5mm (16SWG) thick 316 Grade Stainless Steel, welded and polished

#### Fine Worktop

1.5mm (16SWG) thick 316 Grade Stainless Steel, welded and polished

#### Extract Duct / Duct Plenum

UPVC—Colour Grey

### Technical Specification

#### Air Speed

Coarse perforated worktop: -0.33m/sec (as standard\*)

Fine perforated worktop: -0.33m/sec (as standard\*)

\*Air speed can be customised to specific customer requirements.

### Further information

If you require any further information on the product range available from AFOS, contact our Sales Department:

Tel: +44 (0) 1482 372100

E-mail: [info@afosgroup.com](mailto:info@afosgroup.com)



# VET Table

## Euthanasia with Anaesthesia

AFOS

Website: [www.afosgroup.com](http://www.afosgroup.com) / E-mail: [info@afosgroup.com](mailto:info@afosgroup.com)

Fully sealed, controllable process from start to finish for both anaesthesia and euthanasia of rodents. Down draught scavenging process protecting the technician from exposure to anaesthetic agents from induction to closure.

During the euthanasia process the rodent can be induced with anaesthetic agent and then euthanised with Co<sub>2</sub>, in their home cage, reducing the stress on the animal. The process is fully sealed from start to finish ensuring each stage in the cycle is complete.

### Overview

#### Anaesthesia Induction

Gas tight quick release fittings to chamber  
Clear Induction Box  
Scavenge anaesthetic gas to below 0.2ppm

#### Euthanasia

Rodents remain in their home cage  
Gas Programme  
First :Anaesthesia available  
Second:Gas mixture programmable:  
30% CO<sub>2</sub> / 70% O<sub>2</sub>  
Third: 100% CO<sub>2</sub>

Chamber fully sealed

#### Table fittings

Selectatec fitting vaporizer for Isoflurane, Seoflurane, Enflurane and Halothane  
4 Flow metres to supply Medical air, O<sub>2</sub> and Co<sub>2</sub>  
Heated Surgery pad  
Facemask  
Sealed chamber with clear lid and viewing panel  
Down draught surgery/necropsy/perfusion table  
Linked to the house ventilation system for extract air and piped gas installations.  
Option for cylinder gases, with additional regulator

Fully sealed leak free chamber  
Magnetic locks to prevent lid opening, during the euthanasia process  
Gas tight quick release fittings to chamber to prevent any loss of gas

Chamber designed to fit type 2 and 3 cages  
Variable flow rate to induction chamber and facemask  
Oxygen Flush

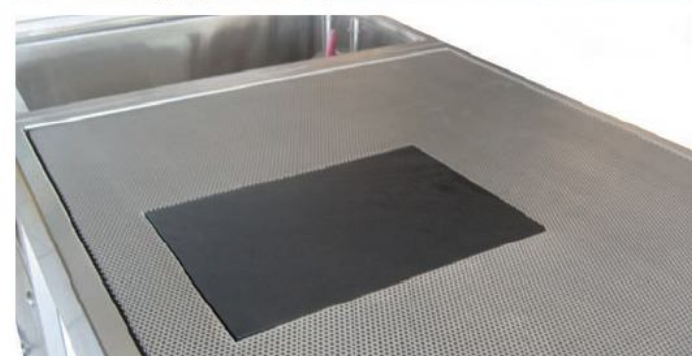
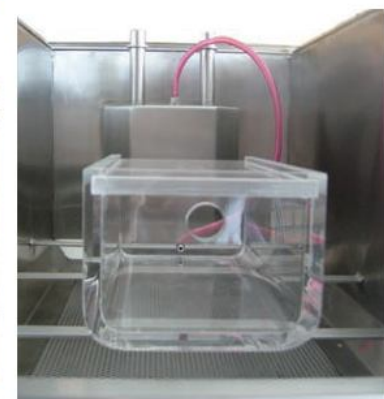
316 grade stainless steel



Euthanasia



Anaesthesia Induction



AFOS reserve the right to alter the specifications above without notice