

Laboratory Solutions

Afos laboratory systems are among the very best, installed in pharmaceutical and medical facilities across the world. As Health & Safety standards the world over become more demanding, the maximum acceptance levels of fumes caused by Formalin, Xylene, other hazardous chemicals and solvents are being constantly reduced.



Ventilated Specimen Table

With Sink

AFOS

Website: www.afosgroup.com / Email: info@afosgroup.com

Why AFOS

AFOS have a global reputation for the design and manufacture of high quality stainless steel medical equipment.

AFOS specialise in providing a total design, manufacture and installation service of mortuary and pathology equipment including autopsy tables and body storage. AFOS have successfully provided solutions for global healthcare and are active in realising PFI opportunities throughout the UK.

AFOS not only meet existing health and safety standards, we exceed them thus maintaining maximum protection for the clinician.

The innovative AFOS down draught technology helps eliminate odours and controls harmful pathogens, ensuring the highest possible level of clinical effectiveness is achieved.

Overview

- Fitted Sink
- Manufactured from high quality stainless steel with 316 grade stainless steel as standard
- Adjustable feet for final site levelling
- Free standing unit
- All outside surfaces cleaned and polished to DP1 finish
- Top of VST is designed to form a fully welded sump

Ventilation

- Perforated work top located above sump
- Worktop manufactured in sections for ease of removal
- Sump irrigation system.
- Ventilation by means of raised duct within the sump, protected by removable cowl
- Extract duct can be either rear take-off or side take-off, to accommodate site conditions

Standard Fittings Include:

- Hot and cold mixer shower tap
- Cold water wrist action tap
- Cold water sump irrigation system
- Set of fine perforated worktops
- Easily removable front and side panels as required



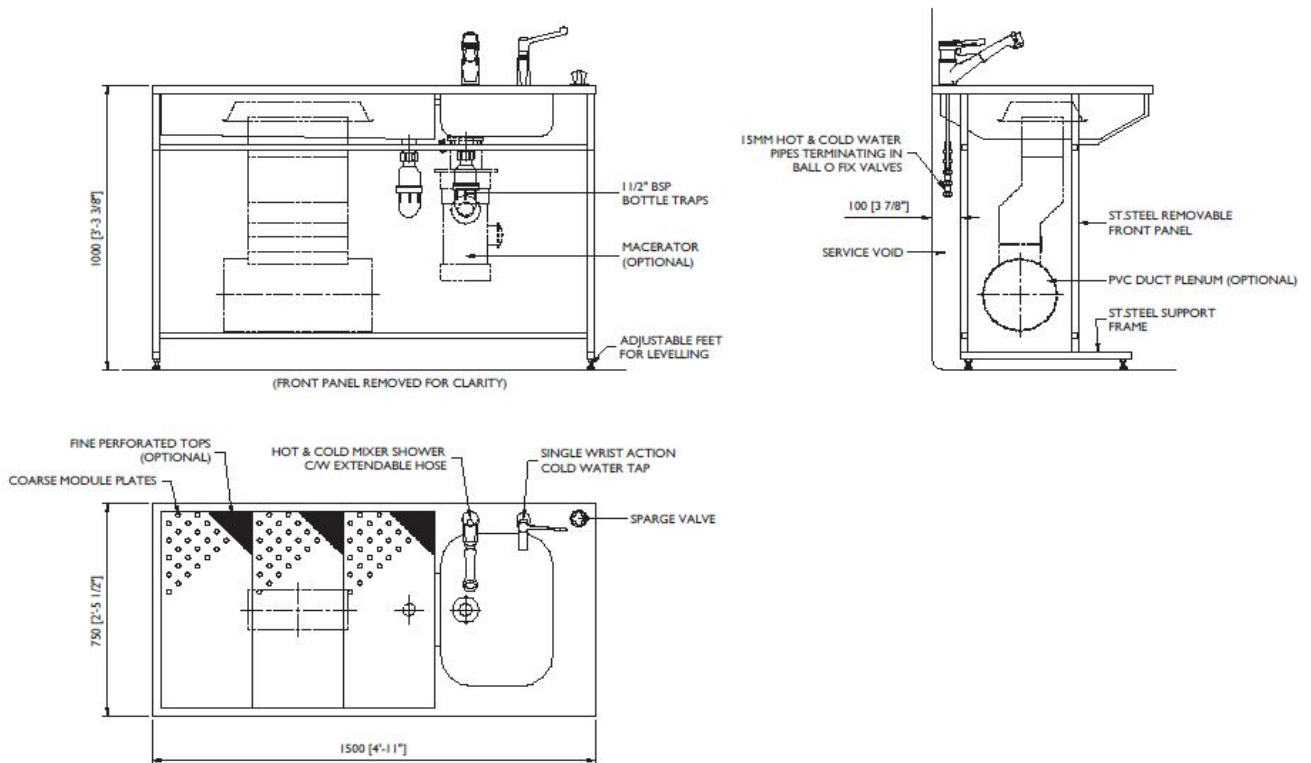
VST1 version shown - other versions and configurations available



Optional Extras Include

- Sink with integral Sluice
- Macerator
- Formalin tap
- Extract duct manifold
- Complete extract air system
- Tundish
- Electronic Height Adjustment
- Canopy
- Available in right hand, left hand or central sink versions
- Solid dissection tray with peripheral ventilation to replace fully perforated worktop
- Peninsular style frame
- Storage cupboards beneath worktop
- Fan Starter alarm and/or warning system
- Re-circulating air filter system

Ventilated Specimen Table With Sink



Material Specification

Table Dimensions

Length: 1200mm/1500mm/1800mm/2100mm/2400mm*

Width: 750mm*

Height: 1000mm/900mm*

*These dimensions apply to the AFOS standard range, if a variation of this is required, please contact AFOS for further information.

Framework

20/25mm Stainless square hollow section, welded and polished 304 stainless steel

Plenum / Sump

1.5mm (16SWG) thick stainless welded and polished 316 stainless steel

Sink

0.9mm-1.5mm thick dependant on sink size

Coarse Worktop

1.5mm (16SWG) thick stainless welded and polished 316 stainless steel

Fine Worktop

1.2mm (18SWG) thick stainless, welded and polished 316 stainless steel

Extract Duct UPVC Colour Grey/White

Technical Specification

Water Pressure

Recommended water pressure

1.0 Bar min and 2.0 Bar max

Airflow

750m³/hr (for 1500mm long VST1)

When fitted:

Fine Perforated Worktop: 0.33m/sec

Solid Dissection tray with peripheral ventilation: 0.66-0.9m/sec

Services

Services to the Ventilated Specimen Table provided, are as scheduled. All scheduled services are finished with 15mm copper pipe tails. The sump and sink waste outlet connections are 1½" BSP and come complete with trap.

Note: Although the Mixer / shower tap unit is fitted with a non return valve, to conform with water authority regulations the water system should be indirect and independent from mains water supply.

Further information

If you require any further information on the product range available from AFOS, contact our Sales Department:

Tel: +44 (0) 1482 372100

Grossing Table

AFOS

Website: www.afosgroup.com / Email: info@afosgroup.com

Why AFOS

AFOS specialise in providing a total design, manufacture and installation service.

AFOS not only meet existing health and safety standards, we exceed them thus maintaining maximum protection for the clinician.

The innovative AFOS down draught technology helps eliminate odours and controls harmful pathogens, ensuring the highest possible level of clinical effectiveness is achieved.

The design

The grossing table frame is manufactured in 304 grade stainless steel with all working surfaces manufactured in 316 grade, all finished corners fully polished and radius. The ergonomic design is aided by a 200mm height adjustment via a handheld control pad.

The design of the table is suitable for both standing and sitting working procedures providing ample knee space.

The extract air is drawn through perforated work plates to provide excellent containment of formalin, independently evaluated to achieve less than 0.2 ppm. The trough under the work surface is fitted with a cold water irrigation system, this prevents build-up of biological material or chemical staining.

Overview

- Designed for pathological and histological dissection and staining
- Fume extraction system
- Macerator (waste disposal unit)
- Stainless steel frame support

Ventilation

- Ventilation at the working position provides maximum safety and prevents clinician inhaling contaminated air
- Top perforated to provide air extraction directly down through the table, removing odours and fumes as close to the source as possible.

Standard Fittings Include:

- Sink
- Fine perforated worktop
- Mixer shower spray with extended hose
- Cold water tap
- Internal sump irrigation system



Grossing Table

AFOS

Website: www.afosgroup.com / Email: info@afosgroup.com

- One high swivelling single cold water tap
- One cold water retractable shower tap to reach all areas of the table
- One set of fine perforated work tops
- One sink bowl 508 x 356 x 180, fitted to the right hand side
- One stainless steel extract take off spigot with balancing damper for connection by others
- Extract can be directed up to ceiling level or under bench as required
- Extract is included to the ceiling interface
- Stainless steel support frame complete with double door access
- Split unit for access
- Side cover panels
- Pathological macerator to sink bowl
- Control switch mounted to the table face
- One formalin dispensing tap, over ventilated area
- Supply will be via a pumped system from a plastic 25ltr container
- Disposal cup situated beneath the tap for drainage into a separate plastic 25ltr container
- Plastic containers to be stored under the bench top with hinged door access
- Recessed fluorescent lighting to the under-face of the canopy
- Magnifying task light suitable for close up examination
- Light switch will be mounted to the vertical face of the unit
- All switches to be IP rated
- To include an accessible IP rated electrical connection box
- One 13 AMP twin MK IP 65 socket outlet complete with isolation box
- One 400mm long magnetic instrument holder
- Flat screen monitor and keyboard with swivelling bracket arms mounted to the front face
- Camera holder above working area
- Adjustable microphone holder complete with suitable switching arrangement

Further information

If you require any further information on the product range available from AFOS, contact our Sales Department:

Tel: +44 (0) 1482 372100

Email: info@afosgroup.com



Grossing Workstation

Floor Mounted

AFOS

Website: www.afosgroup.com / Email: info@afosgroup.com

Why AFOS

AFOS have a global reputation for the design and manufacture of high quality stainless steel medical equipment.

AFOS specialise in providing a total design, manufacture and installation service of mortuary and pathology equipment including autopsy tables and body storage. AFOS have successfully provided solutions for global healthcare and are active in realising PFI opportunities throughout the UK.

AFOS not only meet existing health and safety standards, we exceed them thus maintaining maximum protection for the clinician.

The innovative AFOS down draught technology helps eliminate odours and controls harmful pathogens, ensuring the highest possible level of clinical effectiveness is achieved.

Overview

- Designed for pathological and histological dissection and staining
- Fume extraction system
- Garborator (waste disposal unit)
- Stainless steel frame support
- Wall Mounted
- Height adjustable

Ventilation

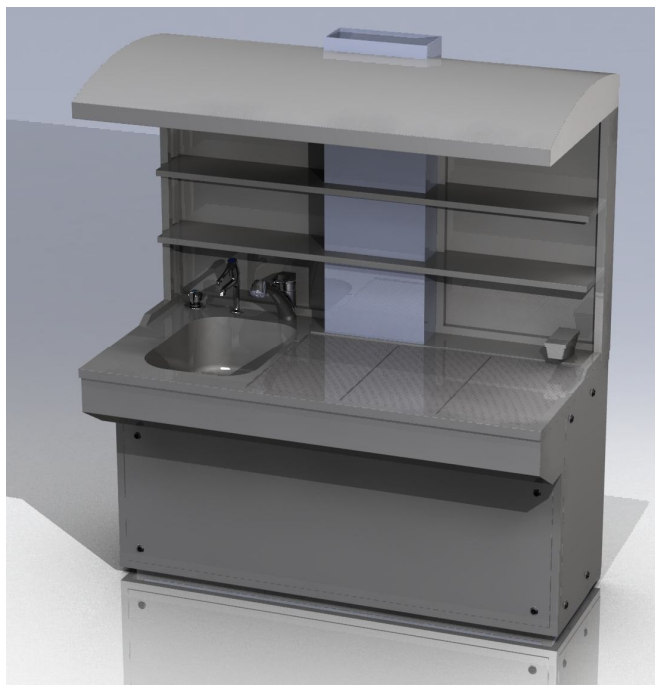
- Ventilation at the working position provides maximum safety and prevents clinician inhaling contaminated air
- Perimeter of table top perforated to provide air extraction directly down through the table, removing odours and fumes as close to the source as possible

Standard Fittings Include:

- Sink
- Fine perforated worktop
- Mixer shower spray with extended hose
- Cold water tap
- Internal sump irrigation system

Optional Extras Include:

- Cutting board / Writing board
- Instrument tray
- Staining trough
- Floor mounted support framework
- Flexible water connectors
- Drain tap
- Extract duct with fan and airflow alarm system
- Task Lighting
- Magnification lighting
- Vacuum Break
- Aspirator



Grossing Workstation - Floor Mounted



Material Specification

Table Dimensions

Length: 1800mm
Width: 900mm

Framework

1" (25mm) square, polished, welded 304 grade stainless steel

Sink / Plenum

Fully welded and polished 1.5mm (16SWG) 316 stainless steel, 250mm deep

Worktop

Perforated 1.2mm (18SWG) 316 stainless steel

Access Panels

1.2mm (18SWG) 316 stainless steel

Extract Duct

340mm x 140mm
PVC extract connector

Technical Specification

Water Pressure

Recommended: 1.0 Bar min and 2.0 Bar max
Hot / Cold connections: ½" NPT fitting

Drainage connections

Plenum / Sump: 1.5" NPT waste

Extraction Air

Extract Volume: 750m³/h
Face velocity - 0.33m/sec

Electrical Supply

220Volts A.C. Single Phase 60Hz (infrared faucet system)
120Volts A.C. Single Phase 60Hz (waste disposal system)

Further information

If you require any further information on the product range available from AFOS, contact our Sales Department:

Tel: +44 (0) 1482 372100
Email: info@afosgroup.com

Grossing Workstation

Wall Mounted

AFOS

Website: www.afosgroup.com / Email: info@afosgroup.com

Why AFOS

AFOS have a global reputation for the design and manufacture of high quality stainless steel medical equipment.

AFOS specialise in providing a total design, manufacture and installation service of mortuary and pathology equipment including autopsy tables and body storage. AFOS have successfully provided solutions for global healthcare and are active in realising PFI opportunities throughout the UK.

AFOS not only meet existing health and safety standards, we exceed them thus maintaining maximum protection for the clinician.

The innovative AFOS down draught technology helps eliminate odours and controls harmful pathogens, ensuring the highest possible level of clinical effectiveness is achieved.

Overview

- Designed for pathological and histological dissection and staining
- Fume extraction system
- Garborator (waste disposal unit)
- Stainless steel frame support
- Wall Mounted
- Height adjustable

Ventilation

- Ventilation at the working position provides maximum safety and prevents clinician inhaling contaminated air
- Perimeter of table top perforated to provide air extraction directly down through the table, removing odours and fumes as close to the source as possible.

Standard Fittings Include:

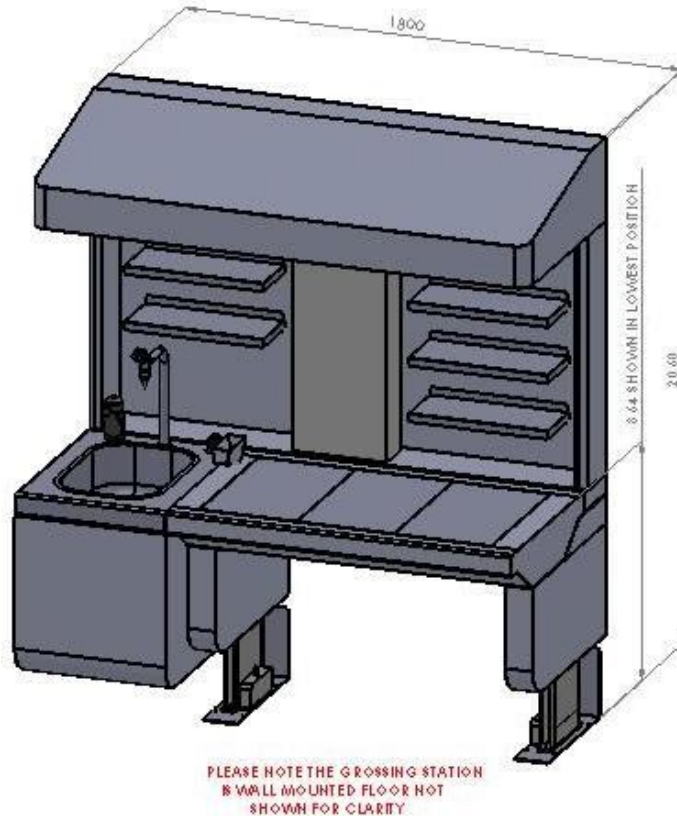
- Sink
- Fine perforated worktop
- Mixer shower spray with extended hose
- Cold water tap
- Internal sump irrigation system



Optional Extras Include:

- Cutting board / Writing board
- Instrument tray
- Staining trough
- Floor mounted support framework
- Flexible water connectors
- Drain tap
- Extract duct with fan and airflow alarm system
- Task Lighting
- Magnification lighting
- Vacuum Break
- Aspirator

Grossing Workstation - Wall Mounted



Material Specification

Table Dimensions

Length: 1800mm
Width: 900mm

Framework

1" (25mm) square, polished, welded 304 grade stainless steel

Sink / Plenum

Fully welded and polished 1.5mm (16SWG) 316 stainless steel, 250mm deep

Worktop

Perforated 1.2mm (18SWG) 316 stainless steel

Access Panels

1.2mm (18SWG) 316 stainless steel

Extract Duct

340mm x 140mm
PVC extract connector

Technical Specification

Water Pressure

Recommended: 1.0 Bar min and 2.0 Bar max
Hot / Cold connections: ½" NPT fitting

Drainage connections

Plenum / Sump: 1.5" NPT waste

Extraction Air

Extract Volume: 750m³/h
Face velocity - 0.33m/sec

Electrical Supply

220Volts A.C. Single Phase 60Hz (infrared faucet system)
120Volts A.C. Single Phase 60Hz (waste disposal system)

Further information

If you require any further information on the product range available from AFOS, contact our Sales Department:

Tel: +44 (0) 1482 372100
Email: info@afosgroup.com

Backdraught Workstation

AFOS

Website: www.afosgroup.com / Email: info@afosgroup.com

Why AFOS

AFOS have a global reputation for the design and manufacture of high quality stainless steel medical equipment.

AFOS specialise in providing a total design, manufacture and installation service of mortuary and pathology equipment including autopsy tables and body storage.

AFOS have successfully provided solutions for global healthcare and are active in realising PFI opportunities throughout the UK. AFOS not only meet existing health and safety standards, we exceed them thus maintaining maximum protection for the clinician.

The innovative AFOS down draught technology helps eliminate odours and controls harmful pathogens, ensuring the highest possible level of clinical effectiveness is achieved.

Overview

- Removable perforated ventilation panels
- Integral exhaust damper
- Integrated waterproof electrical sockets
- Adjustable feet for levelling

Ventilation

- Ventilation prevents clinician inhaling contaminated air
- Air is drawn across the work surface and extracted at the back of the table directly through the perforated back, removing odours and fumes as close to the source as possible
- Plenum air extraction through telescopic duct

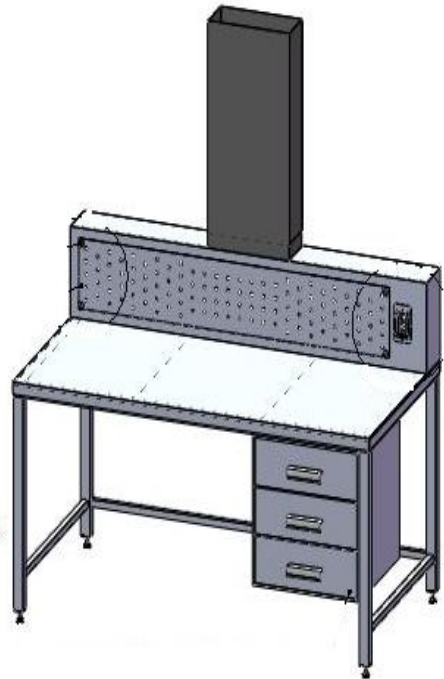
Options Available (integrated into a single system)

- Automatic Co2 delivery system
- Heated pad with full control
- Full scavenged integrated chamber
- Drawers can be left or right handed, designed to the customers configuration

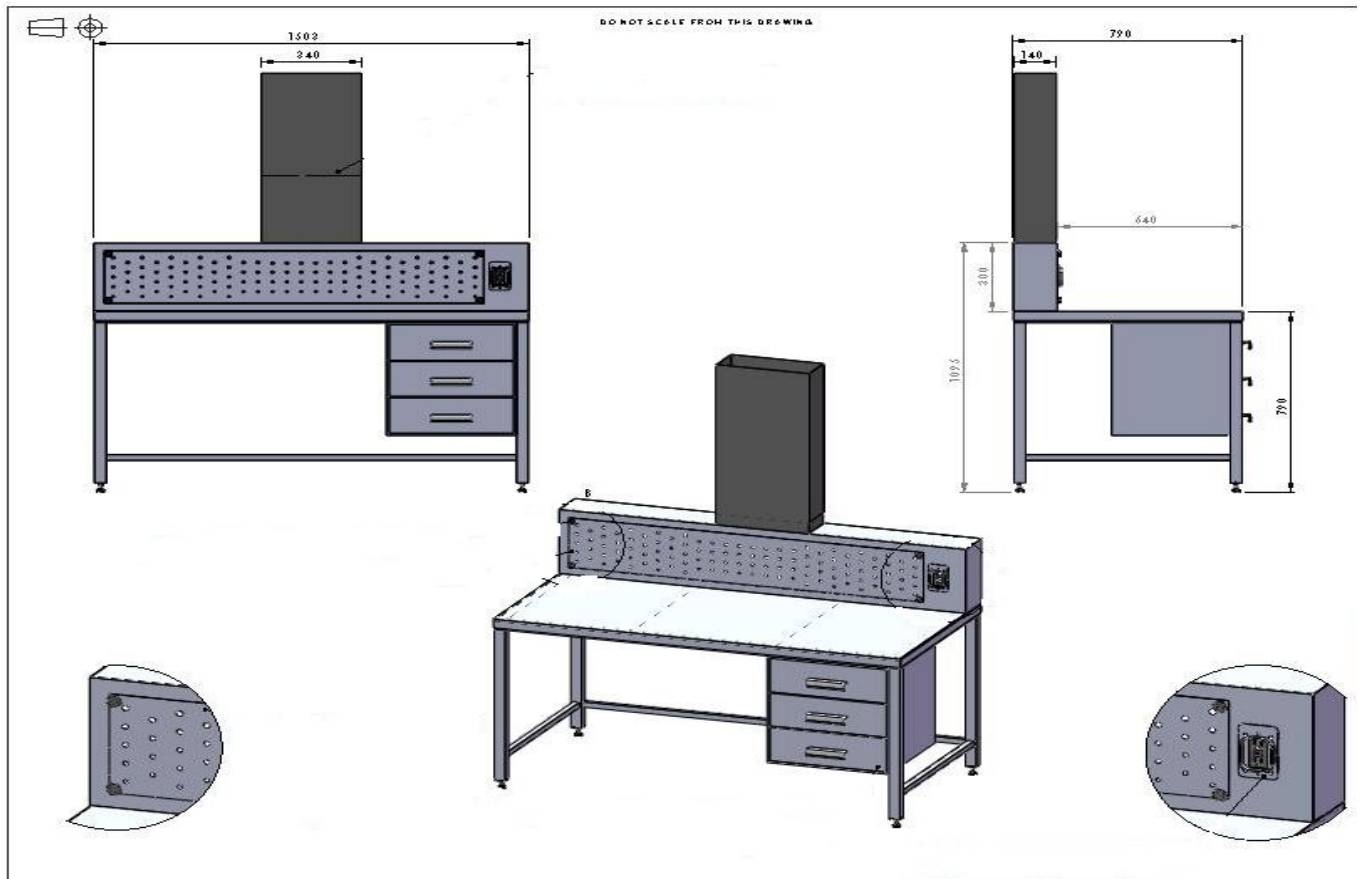
Further information

If you require any further information on the product range available from AFOS, contact our Sales Department:

Tel: +44 (0) 1482 372100
Email: info@afosgroup.com



Backdraught Workstation



Technical Specification

Key Features:

- Fittings for 1x O₂, 1x N₂O Size E cylinders (extra gases optional)
- Upgradeable for up to 4 carrier gases
- Low O₂ Alarm with N₂O cut off
- Oxygen Flush
- Isoflurane or Halothane Options (other anaesthetic agents available)
- Tapered Flow meters for maximum accuracy.
- Anti static castors locking for safety
- High quality stainless (316 Grade DP1)

Ventilated Workstation

AFOS

Website: www.afosgroup.com / Email: info@afosgroup.com

Why AFOS

AFOS have a global reputation for the design and manufacture of high quality stainless steel medical equipment.

AFOS specialise in providing a total design, manufacture and installation service of mortuary and pathology equipment including autopsy tables and body storage. AFOS have successfully provided solutions for global healthcare and are active in realising PFI opportunities throughout the UK.

AFOS not only meet existing health and safety standards, we exceed them thus maintaining maximum protection for the clinician.

The innovative AFOS down draft technology helps eliminate odours and controls harmful pathogens, ensuring the highest possible level of clinical effectiveness is achieved.

Overview

- Designed to enable unrestricted access for working
- Worktop manufactured in sections for ease of removal
- Adjustable feet for final site levelling
- Free standing unit
- Recessed to allow space for feet when standing at the table
- All outside surfaces cleaned and polished to DP1 finish
- UPVC extract duct exits from either top or bottom to accommodate client requirements

Ventilation

- Containment of hazards achieved by pulling air through peripheral edge of table
- Prevents clinician inhaling contaminated air

Standard Fittings

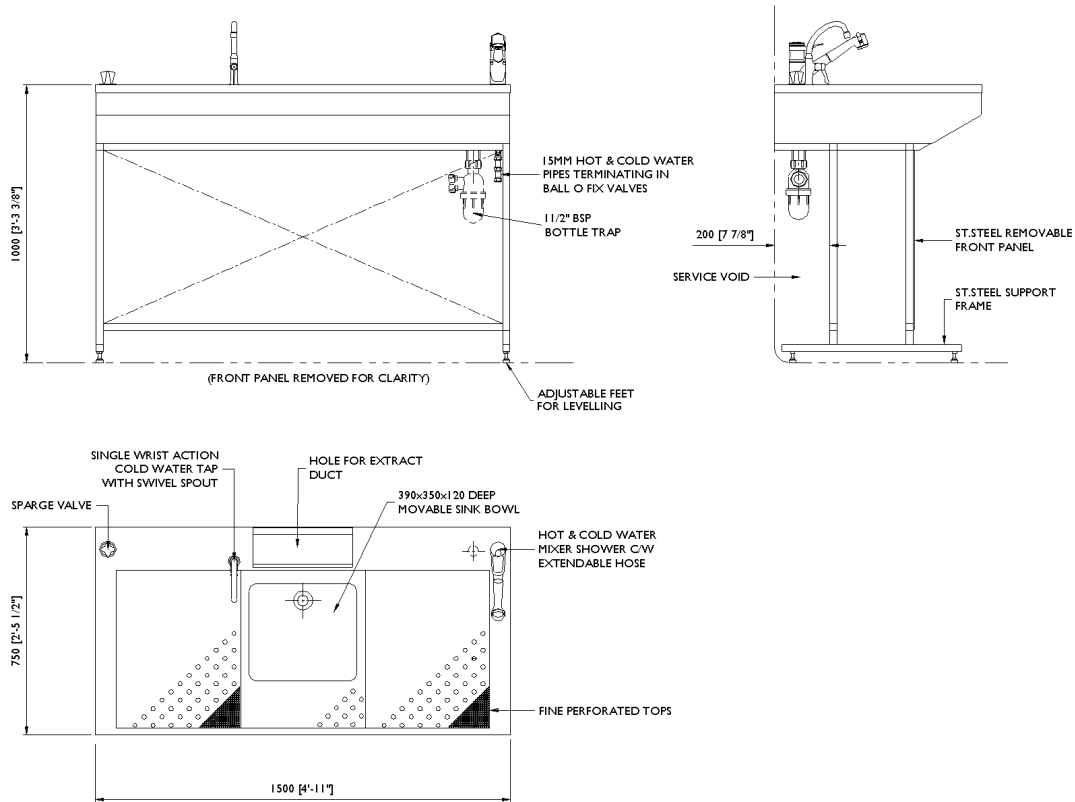
- Cold Water tap
- Fine Perforated worktop
- Internal sump irrigation system

Optional Extras Include:

- Electronic height adjustment
- Mixer Shower Spray with extended hose
- Cutting board / Writing board
- Instrument tray
- Staining trough
- Under bench cabinets
- Extract duct system with fan and airflow alarm system
- Sink with cold water tap



Ventilated Workstation



Material Specification

Dimensions

Length: 1200mm / 1500mm*
 Width: 750mm
 Height: 210mm

*These dimension apply to the AFOS standard range, if a variation to these dimensions is required, please contact AFOS for further information.

Specification

Trough: 1.5mm (16SWG) 316 grade Stainless Steel, fully welded and polished

Outer Casing: 1.2mm(18SWG) Perforated 316 grade Stainless Steel, fully welded and polished

Worktop: 1.2mm (18SWG) perforated 316 grade Stainless Steel

Sink (Optional): 316 grade stainless steel, fully welded and polished

Technical Specification

Water Pressure

Recommended water pressure
 1.0 Bar min and 3.0 Bar max
 Water connection, hot and cold, 15mm

Drainage connection

Sump: 1½" BSP screwed connection

Extract performance Data

Face Velocity: 0.33m/sec
 Resistance (excluding ducting): 60 Pascals
 Extract Volume: Dependent on design, please contact AFOS for further information.

Services

Services to the Ventilated Workstation provided, are as scheduled. All scheduled services are finished with 22mm copper pipe tails and waste to sump 1½" BSP, waste to Sink 2" BSP.

Further information

If you require any further information on the product range available from AFOS, contact our Sales Department:

Tel: +44 (0) 1482 372100

Email: info@afosgroup.com

Ventilated Staining Table

AFOS

Website: www.afosgroup.com / Email: info@afosgroup.com

Why AFOS

AFOS have a global reputation for the design and manufacture of high quality stainless steel medical equipment.

AFOS specialise in providing a total design, manufacture and installation service of mortuary and pathology equipment including autopsy tables and body storage.

AFOS have successfully provided solutions for global healthcare and are active in realising PFI opportunities throughout the UK.

AFOS not only meet existing health and safety standards, we exceed them thus maintaining maximum protection for the clinician.

The innovative AFOS down draught technology helps eliminate odours and controls harmful pathogens, ensuring the highest possible level of clinical effectiveness is achieved.

Overview

- Manufactured from High quality stainless steel throughout
- Mounted on steel support structure
- Recessed to allow space for feet when standing at the table
- Adjustable feet for final site levelling
- Free standing unit
- All outside surfaces cleaned and polished to DP1 finish

Ventilation

- Fine ventilated worktop located above sump
- Worktop manufactured in sections to enable easy removal
- Ventilation by means of a raised duct within sump protected by a removable cowl

Standard Fittings

- Cold water tap
- Remote control valve in chrome finish that operates the sump irrigation system
- Removable stainless steel panels for access to services

Optional extras

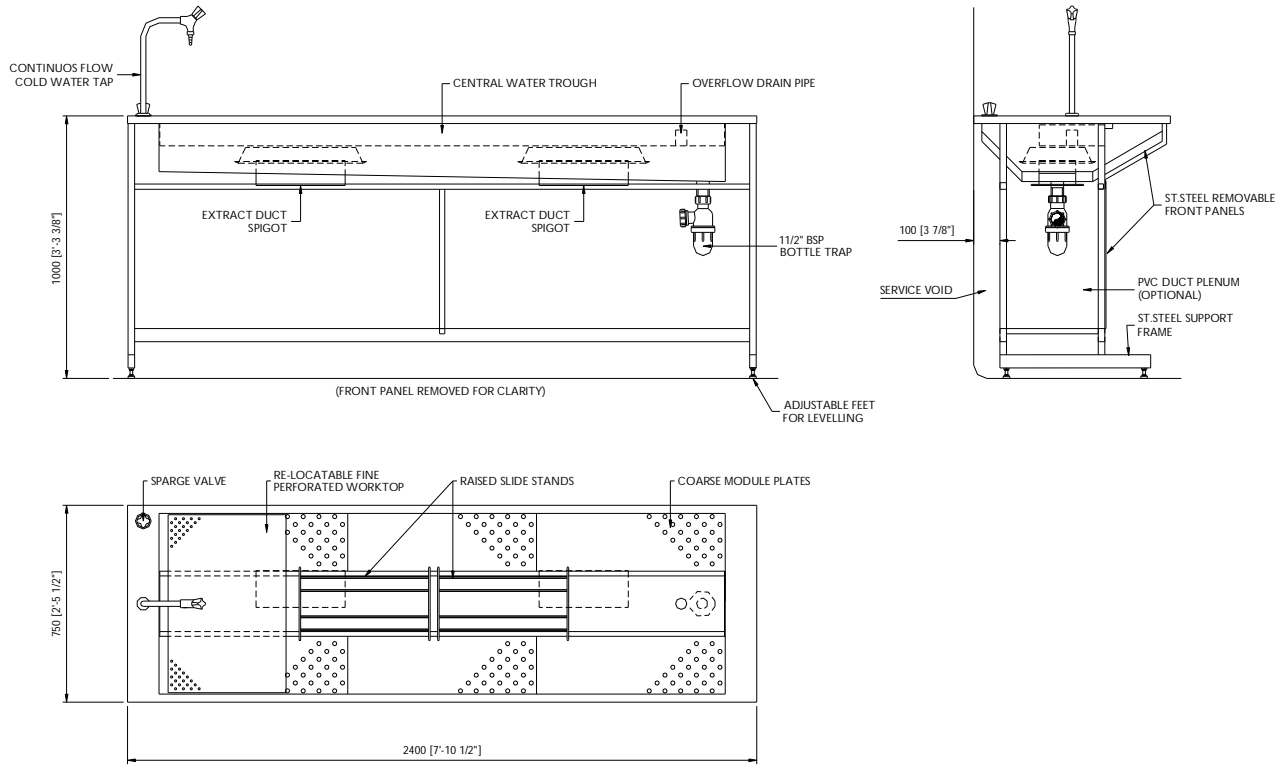
- Extract duct manifold
- Tundish
- End panels
- Electronic height adjustment
- Duct take-off manifold fitted beneath sump to enable connection to air extract system
- Complete air extraction system



Picture shows VST8 with second cold water tap taken as an optional extra.



Ventilated Staining Table



Material Specification

Table Dimensions

Length: 2100mm/1500mm/1800mm/2100mm/2400mm*

Width: 750mm*

Height: 900mm/1000mm*

*These dimensions apply to the AFOS standard range, if a variation to this is required, please contact AFOS for further information.

Framework

20/25/50mm 304 grade stainless steel square hollow section, welded and polished.

Sink/Plenum/Sump

1.5mm (16SWG) thick 316 stainless steel, welded and polished.

Fine Worktop

1.2mm (18SWG) thick 316 stainless steel, welded and polished

Extract Duct

UPVC Colour Grey/White

Technical Specification

Water Pressure

Recommended water pressure: 1.0 Bar min and 2.0 Bar max

Airflow

Fine Perforated worktop: 0.33m/sec

Note: Although the mixer / shower tap unit is fitted with a non return valve to conform with water authority regulations, the water system should be indirect and independent from mains water supply.

Further information

If you require any further information on the product range available from AFOS, contact our Sales Department:

Tel: +44 (0) 1482 372100

Email: info@afosgroup.com

Ventilated Specimen Store

AFOS

Website: www.afosgroup.com / Email: info@afosgroup.com

Why AFOS

AFOS have a global reputation for the design and manufacture of high quality stainless steel medical equipment.

AFOS specialise in providing a total design, manufacture and installation service of mortuary and pathology equipment including autopsy tables and body storage.

AFOS have successfully provided solutions for global healthcare and are active in realising PFI opportunities throughout the UK.

AFOS not only meet existing health and safety standards, we exceed them thus maintaining maximum protection for the clinician.

The innovative AFOS down draught technology helps eliminate odours and controls harmful pathogens, ensuring the highest possible level of clinical effectiveness is achieved.

Overview

- Removes airborne noxious fumes and gases
- Returns clean air into the room
- Air extracted through main chamber into carbon filters which remove fumes
- Protects personnel in areas where a potential risk of exposure to hazardous fumes from stored specimens exists

Construction

- Constructed of prefabricated stainless steel panels
- Each panel secured to adjacent panel to form rigid construction
- Toughened glass doors suspended on a sliding running track
- Doors clear of floor to allow ingress of clean air into chamber
- Floor formed using existing floor of the room, allowing free access to the mobile trolley units and cleaning of internal chamber
- Supplied with either mobile trolley units or stainless steel shelves or a mixture of both shelves/trolleys
- Modular construction can be designed to suit available space, i.e. L-Shaped or E-shaped construction

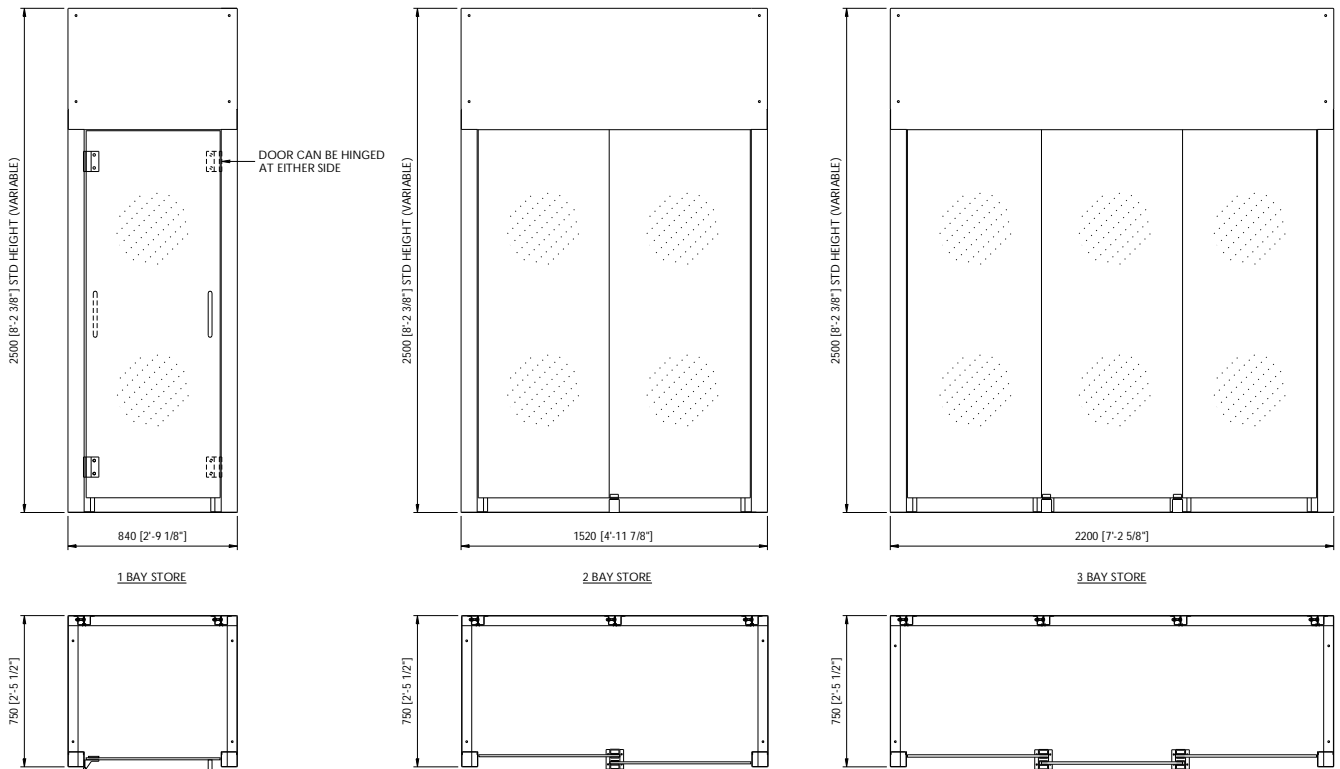
Optional Extras

- Depth of chamber can be increased to accommodate additional storage where space permits
- Mobile trolley units, complete with clear plastic trays and 3 wire baskets
- 5 Adjustable shelves per bay
- Top mounted re-circulating units available



Picture shows top mounted re-circulating specimen

Ventilated Specimen Store



Material Specification

Store Dimensions

1 Bay Store

Width: 840mm
Depth: 750mm
Height: 2500mm

2 Bay Store

Width: 1520mm
Depth: 750mm
Height: 2500mm

3 Bay Store

Width: 2200mm
Depth: 750mm
Height: 2500mm

Construction

Main cabinet: 1.5mm thick 304 grade stainless steel

Top Cabinet: 1.5mm thick 304 grade stainless steel

Shelves: 1.5mm thick 304 grade stainless steel
2.0mm thick 304 grade stainless steel

Trolleys: Square mild steel, powder coated. Each trolley complete with:
3x190mm deep plastic trays
6x100mm deep plastic trays

Extract Duct: PVC

Technical Specification

Airflow

0.3-0.5m/sec at the air intake grills

Electrical Information

Electrical supply: 230Volts
Single Phase
50 Hz

Further information

If you require any further information on the product range available from AFOS, contact our Sales Department:

Tel: +44 (0) 1482 372100

Email: info@afosgroup.com

Ventilated Specimen Table

With Sluice (VST 3)

AFOS

Website: www.afosgroup.com / Email: info@afosgroup.com

Why AFOS

AFOS have a global reputation for the design and manufacture of high quality stainless steel medical equipment.

AFOS specialise in providing a total design, manufacture and installation service of mortuary and pathology equipment including autopsy tables and body storage. AFOS have successfully provided solutions for global healthcare and are active in realising PFI opportunities throughout the UK.

AFOS not only meet existing health and safety standards, we exceed them thus maintaining maximum protection for the clinician.

The innovative AFOS down draught technology helps eliminate odours and controls harmful pathogens, ensuring the highest possible level of clinical effectiveness is achieved.

Overview

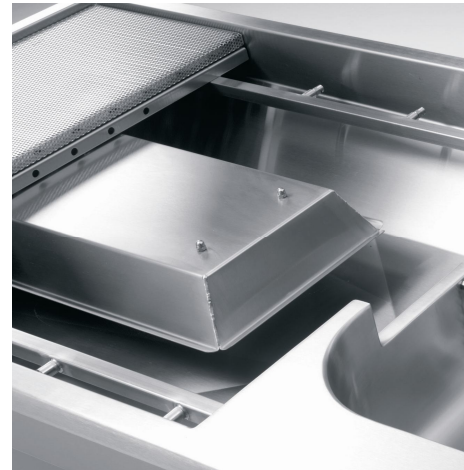
- Designed for disposal of large amounts of matter that cannot be disposed of via a normal sink
- Manufactured from high quality stainless steel with 316 grade stainless steel as standard
- Adjustable feet for final site levelling
- Free standing unit
- All outside surfaces cleaned and polished to DP1 finish
- Top of VST is designed to form a fully welded sump

Ventilation

- Perforated work top located above sump
- Worktop manufactured in sections for ease of removal
- Sump irrigation system
- Ventilation by means of raised duct within the sump, protected by removable cowl
- Extract duct can be either rear take-off or side take-off, to accommodate site conditions

Standard Fittings Include:

- Integral or wall mounted cistern for flushing the sluice
- Hinged perforated nylon cover (removable)
- Hot and cold lever action mixer tap
- Cold water sump irrigation system
- Set of fine perforated worktops
- Easily removable front and side panels as required



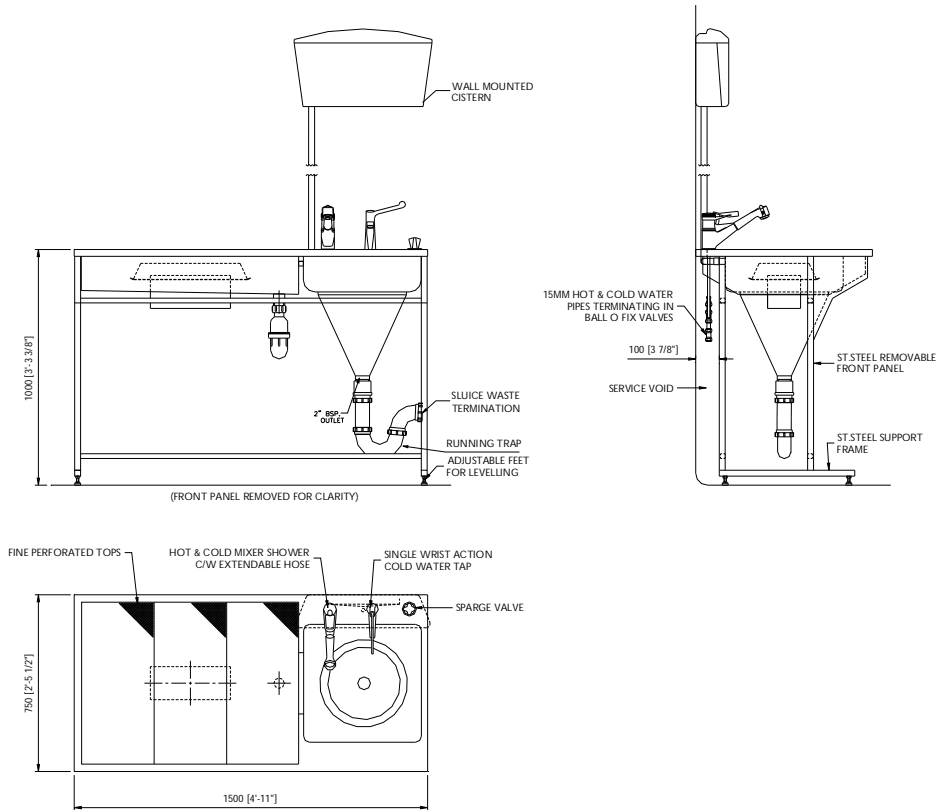
VST3 version shown - other versions and configurations available



Optional Extras Include

- Formalin tap
- Extract duct manifold
- Complete extract air system
- Tundish
- Electronic Height Adjustment
- Canopy
- Available in right hand, left hand or central sink versions
- Solid dissection tray with peripheral ventilation to replace fully perforated worktop
- Storage cupboards beneath worktop
- Fan Starter alarm and/or warning system
- Re-circulating air filter system

Ventilated Specimen Table With Sluice



Material Specification

Table Dimensions

Length: 1200mm/1500mm/1800mm/2100mm/2400mm*

Width: 750mm*

Height: 1000mm/900mm*

*These dimensions apply to the AFOS standard range, if a variation of this is required, please contact AFOS for further information.

Framework

20/25mm stainless square hollow section, welded and polished 304 stainless steel

Plenum / Sump

1.5mm (16SWG) thick stainless welded and polished 316 stainless steel

Coarse Worktop

1.5mm (16SWG) thick stainless welded and polished 316 stainless steel

Fine Worktop

1.2mm (18SWG) thick stainless, welded and polished 316

Technical Specification

Water Pressure

Recommended water pressure
1.0 Bar min and 2.0 Bar max

Airflow

750m³/hr (for 1500mm long VST1)

When fitted:

Fine Perforated Worktop: 0.33m/sec

Solid Dissection tray with peripheral ventilation: 0.66-0.9m/sec

Services

Services to the Ventilated Specimen Table provided, are as scheduled. All scheduled services are finished with 15mm copper pipe tails. The waste outlet connections are 1½" BSP to sump and 2" BSP male to sluice.

Further information

If you require any further information on the product range available from AFOS, contact our Sales Department:

Tel: +44 (0) 1482 372100

Formalin Dispensing Unit

Standard

AFOS

Website: www.afosgroup.com / Email: info@afosgroup.com

Why AFOS

With AFOS equipment exposure to both hazardous fumes and airborne pathogens are controlled at limits that are an order of magnitude less than [COSHH] [OSHA] levels.

System Description

- Type 2
- Peristaltic pump to take formalin to mixing tank
- PVC mixing tank capacity either 25 or 50L

Formalin Transfer

- Single speed peristaltic pump transfers formalin from bottle to mixing tank
- Rate of up to 2L/ min
- Rocker switch operates peristaltic pump
- Electrical solenoid valve operated by push button allows operator to introduce water to appropriate level
- Levels marked on tank
- Mixing of formalin achieved by agitation provided from addition of water
- Foot operated magnetic pump facilitates transfer of formalin from mixing tank to formalin tap
- All formalin dispensing equipment housed in a stainless steel cupboard
- Cupboard should be sufficiently ventilated to remove escaping formalin fumes

Flexibility

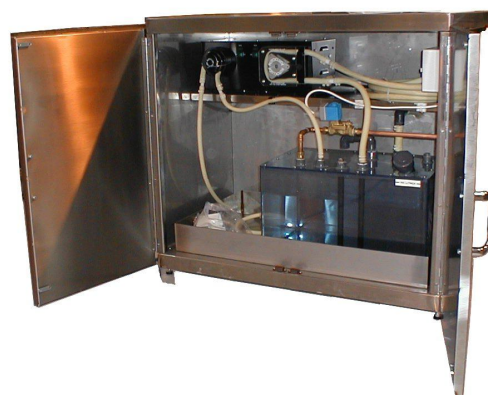
- Can be fitted to a wide range of workstations dependant on design features

Standard Equipment

- PVC mixing tank 25L
- Foot operated valve
- Single speed peristaltic pump
- Formalin tap
- Stainless steel housing
- Valves, piping fittings
- Foot operated single speed magnetic head pump

Options

- 50L mixing tank
- Additional magnetic head booster pump



Further information

If you require any further information on AFOS product range contact:

Tel: +44 (0) 1482 372100
E-mail: info@afosgroup.com

Formalin Dispensing Unit

Type 3

AFOS

Website: www.afosgroup.com / Email: info@afosgroup.com

Why AFOS

With AFOS equipment exposure to both hazardous fumes and airborne pathogens are controlled at limits that are an order of magnitude less than [COSHH] [OSHA] levels.

System Description

- Type 3
- Semi Automatic system
- Header tank holding capacity either 50 or 100L
- Introduction of salts via PVC mixing tank with screw filler cap

Formalin Transfer

- Single speed peristaltic pump operated by rocker switch transfers formalin to mixing tank
- Switch operated solenoid valve adds water to tank
- Water filling terminated by release of switch
- Visual monitoring required for levels
- Level fill markers indicate 5 and 50L marks
- Mixing of formalin and salts achieved by agitation provided from addition of water
- Mixed solution transferred to overhead tank via a second peristaltic pump
- Overhead tank 50 / 125L capacity
- Header tank equipped with a level sensor to prevent overflow
- Secondary overflow measure in form of an overflow pipe back to the mixing tank
- Formalin fed from overhead tank to outlet tap under gravity
- Magnetic head booster pump may be required to transfer the mixed formalin from the overhead tank to the outlet tap if this outlet is mounted remotely from the mixing cupboard

Flexibility

- All formalin dispensing equipment can be housed in a stainless steel cupboard.
- Cupboard should be sufficiently ventilated to remove escaping formalin fumes

Can be fitted to a wide range of workstations

Standard Equipment

- PVC mixing tank 25, 50 or 125L
- Foot operated
- Control box for switch operated solenoid valve
- Single speed peristaltic pump 2 No.
- Formalin tap
- Stainless steel or block laminate housing
- PVC overhead tank 50 litres
- Valves, piping fittings

Options

- 125L mixing tank
- Additional magnetic head booster pump



Further Information

If you require any further information on the product range available from AFOS, contact our Sales Department:

Tel: +44 (0) 1482 372100
Email: info@salesgroup.com

AFOS reserve the right to alter the specifications above without notice