

Mortuary Solutions

Total protection of the Pathologist and Technician by compliance with occupational Health & Safety Standards is of major importance. The Afos Down Draught Autopsy Table reduces the risk of infection, eliminates odours, prevents back problems by its ergonomic design, permits simple body transfer and rapid cleaning



Ventilated Autopsy Table

AFOS

Website: www.afosgroup.com / Email: info@afosgroup.com

Why AFOS

AFOS have a global reputation for the design and manufacture of high quality stainless steel medical equipment. AFOS specialise in providing a total design, manufacture and installation service of mortuary and pathology equipment including autopsy tables and body storage. AFOS have successfully provided solutions for global healthcare and are active in realising PFI opportunities throughout the UK. AFOS not only meet existing health and safety standards, we exceed them thus maintaining maximum protection for the clinician. The innovative AFOS down draught technology helps eliminate odours and controls harmful pathogens, ensuring the highest possible level of clinical effectiveness is achieved.

Overview

- Open Autopsy Table system
- Efficient extraction
- Easy to clean
- Ergonomic design
- Simple to install

Ventilation

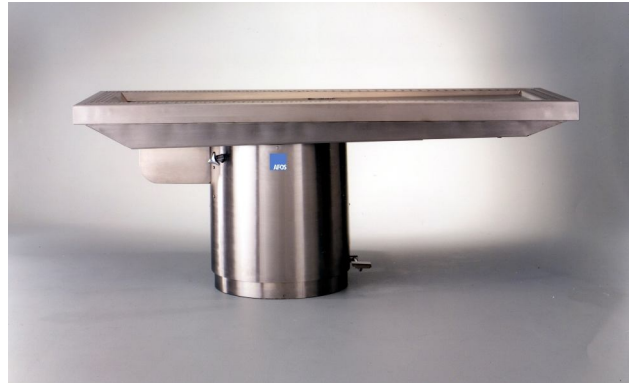
- Ventilation at the working position provides maximum safety and prevents clinician inhaling contaminated air
- Table top perimeter perforated to provide air extraction directly down through the table, removing odours and fumes as close to the source as possible
- Plenum air extraction through telescopic duct
- Extraction spigot safely protected to ensure liquids can not drain into the duct work below

Standard Fittings Include:

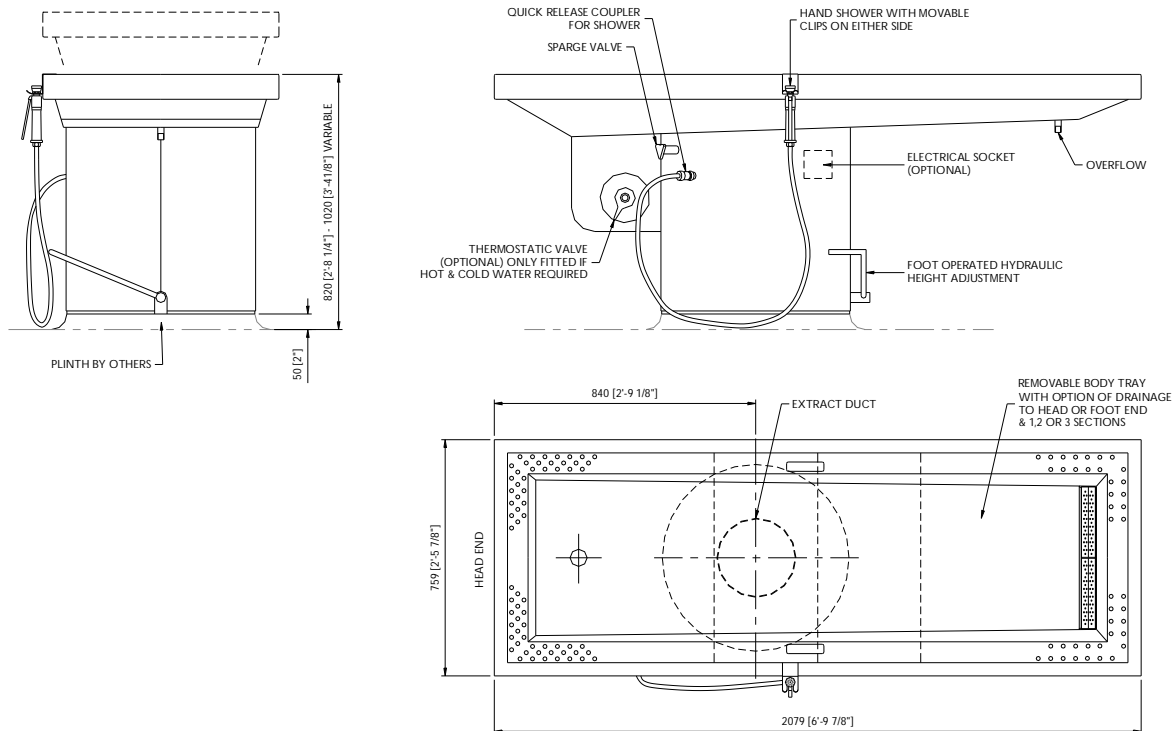
- Dished, two piece, stainless steel body tray supports the body and controls liquid movement
- Sump irrigation system
- Removable strainers set in the body tray for capture of solids
- Plenum liquid drainage pipe connections
- Drain grille together with an overflow outlet warns user of any blockage
- Simple trough with a minimum of protrusions for ease of cleaning
- Foot operated hydraulic adjuster

Optional Extras Include:

- Electronic height adjustment
- Fixed height
- IP 65 rated electrical sockets
- Thermostatic mixing valve if hot water option taken
- 1 or 3 piece body tray in place of standard 2 piece
- 180° / 270° table rotation facility (max 180° if electrical sockets included)
- Bariatric versions available
- Above or Below Ground Services



Ventilated Autopsy Table



Material Specification

Materials of Construction

Body Tray:	2.0mm (14SWG) thick, welded and polished stainless steel
Sump:	2.5mm (12SWG) thick welded and polished 316 stainless steel
Plinth Covers:	1.5mm (16SWG) thick welded and polished 316 stainless steel
Base Plate:	6mm
Waste piping:	316 stainless steel
Sparge piping:	316 stainless steel
Rinse Control Valve:	Chrome plated rotary hand knob

Hydraulic Pedestal components

Support Channels:	Mild Steel - Zinc Plated
Lift box:	Aluminium (Black Anodised)
Slide Bearing:	High Carbon Steel
Hydraulic Unit:	Combined foot pump and cylinder unit provides 200mm lift travel

Foot pedestal release allows safe lowering by means of integral check valve

Technical Specification

Water Connections

Water Supply:	22mm Copper tube
Recommended water pressure:	1.0 Bar min and 2.0 Bar max
Waste Outlet:	2" BSP Screwed connection (stainless steel)
Sparge Water:	20 litres/min at 2 bar
Cold Water:	25 Litres / min
Hot Water (if required):	12 Litres / min

Extraction Air

1000m³/hr at 120 Pascals

NOTE: PLINTHS PREPARED BY CONTRACTOR

Further information

If you require any further information on the product range available from AFOS, contact our Sales Department:

Tel: +44 (0) 1482 372100

Email: info@afosgroup.com

Ventilated Autopsy Table

With Sink

AFOS

Website: www.afosgroup.com / Email: info@afosgroup.com

Why AFOS

AFOS have a global reputation for the design and manufacture of high quality stainless steel medical equipment.

AFOS specialise in providing a total design, manufacture and installation service of mortuary and pathology equipment including autopsy tables and body storage.

AFOS have successfully provided solutions for global health-care and are active in realising PFI opportunities throughout the UK.

AFOS not only meet existing health and safety standards, we exceed them thus maintaining maximum protection for the clinician.

The innovative AFOS down draught technology helps eliminate odours and controls harmful pathogens, ensuring the highest possible level of clinical effectiveness is achieved.

Overview

- Open Autopsy Table system
- Fitted Sink
- Efficient extraction
- Easy to clean
- Ergonomic design
- Simple to install
- Finished surface withstands corrosive effects of chemicals

Ventilation

- Ventilation at the working position provides maximum safety and prevents clinician inhaling contaminated air
- Perimeter of table top perforated to provide air extraction directly down through the table, removing odours and fumes as close to the source as possible
- Plenum air extraction through telescopic duct
- Extraction spigot safely protected to ensure liquids can not drain into the duct work below

Standard Fittings Include:

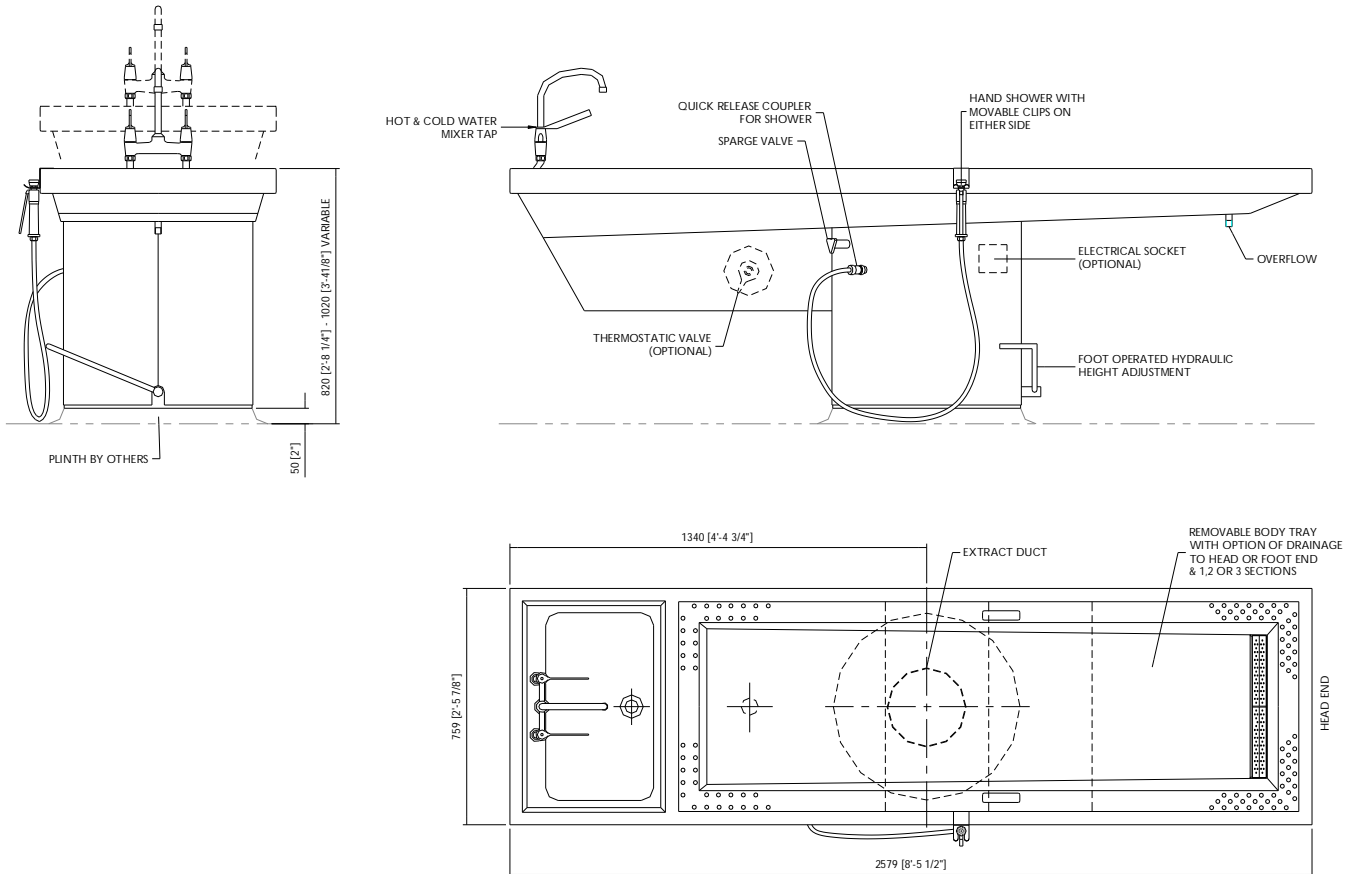
- Dished, 2 piece, stainless steel body tray supports the body and controls liquid movement
- Sump irrigation system
- Removable strainers set in the body tray for capture of solids
- Plenum liquid drainage pipe connections
- Drain grill together with an overflow outlet warns user of any blockage
- Simple trough with a minimum of protrusions for ease of cleaning
- Foot operated hydraulic adjuster
- Hot and cold mixer tap
- Hand operated shower hose (cold water)



Optional Extras Include:

- Electronic height adjustment
- Fixed height
- IP 65 rated electrical sockets
- Thermostatic mixing valve - if hot water option taken
- Single or 3 piece body tray in place of standard two piece
- 180° / 270° table rotation facility (Max 180° if electrical sockets included)
- Bariatric versions available
- Sink disposer (macerator/garborator)
- Above or Below Ground Services

Ventilated Autopsy Table with Sink



Material Specification

Materials of Construction

Body Tray:	2.0mm (14SWG) thick, welded and polished stainless steel
Sump:	2.5mm (12SWG) thick welded and polished 316 stainless steel
Plinth Covers:	1.5mm (16SWG) thick welded and polished 316 stainless steel
Base Plate:	6mm
Waste piping:	316 stainless steel
Sparge piping:	316 stainless steel
Rinse Control Valve:	Chrome plated rotary hand knob

Hydraulic Pedestal components

Support Channels:	Mild Steel - Zinc Plated
Lift box:	Aluminium (Black Anodised)
Slide Bearing:	High Carbon Steel
Hydraulic Unit:	Combined foot pump and cylinder unit provides 200mm lift travel

Foot pedestal release allows safe lowering by means of integral check valve

Technical Specification

Water Connections

Water Supply:	22mm Copper tube
Recommended water pressure:	1.0 Bar min and 2.0 Bar max
Water Outlet:	50mm tube (2" BSP screwed connection)
Waste Outlet:	2" BSP Screwed connection (stainless steel)
Sparge Water:	20 litres/min at 2 bar total Maximum with no pressure drop
Cold Water:	25 litres/minute
Hot Water (if required):	12litres/minute

Extraction Air

1000m³/hr at 120 Pascals

NOTE: PLINTHS PREPARED BY CONTRACTOR

Further Information

If you require any further information on the AFOS product range contact our Sales Department

Tel: + 44 (0)1482 372100
Email: info@afosgroup.com

Rapid Transfer Autopsy Table

AFOS

Website: www.afosgroup.com / Email: info@afosgroup.com

Why AFOS

AFOS have a global reputation for the design and manufacture of high quality stainless steel medical equipment.

AFOS specialise in providing a total design, manufacture and installation service of mortuary and pathology equipment including autopsy tables and body storage.

AFOS have successfully provided solutions for global healthcare and are active in realising PFI opportunities throughout the UK.

AFOS not only meet existing health and safety standards, we exceed them thus maintaining maximum protection for the clinician.

The innovative AFOS down draught technology helps eliminate odours and controls harmful pathogens, ensuring the highest possible level of clinical effectiveness is achieved.

Overview

- Rapid Transfer System
- Open Autopsy Table system
- Efficient extraction
- Easy to clean
- Ergonomic design
- Simple to install

Ventilation

- Ventilation at the working position provides maximum safety and prevents clinician inhaling contaminated air
- Table top perimeter perforated to provide air extraction directly down through the table, removing odours and fumes as close to the source as possible
- Plenum air extraction through telescopic duct
- Extraction spigot safely protected to ensure liquids can not drain into the duct work below

Standard Fittings Include:

- Sump irrigation system
- Plenum liquid drainage pipe connections
- Drain grill together with an overflow outlet warns user of any blockage
- Simple trough with a minimum of protrusions for ease of cleaning
- Foot operated hydraulic adjuster
- Hand operated shower hose (Cold water)

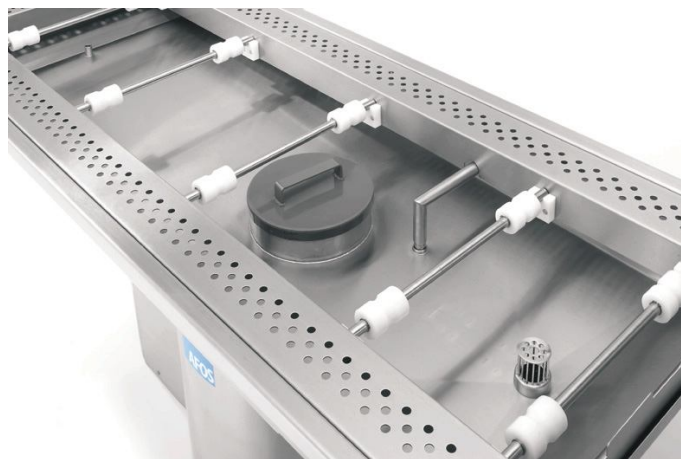
Optional Extras Include:

- Electronic height adjustment
- Fixed height
- IP 65 rated electrical sockets
- Thermostatic mixing valve - if hot water option taken
- 180° / 270° table rotation facility (max 180° if electrical sockets included)
- Compressed air connectors
- Bariatric versions available
- Above or below ground services

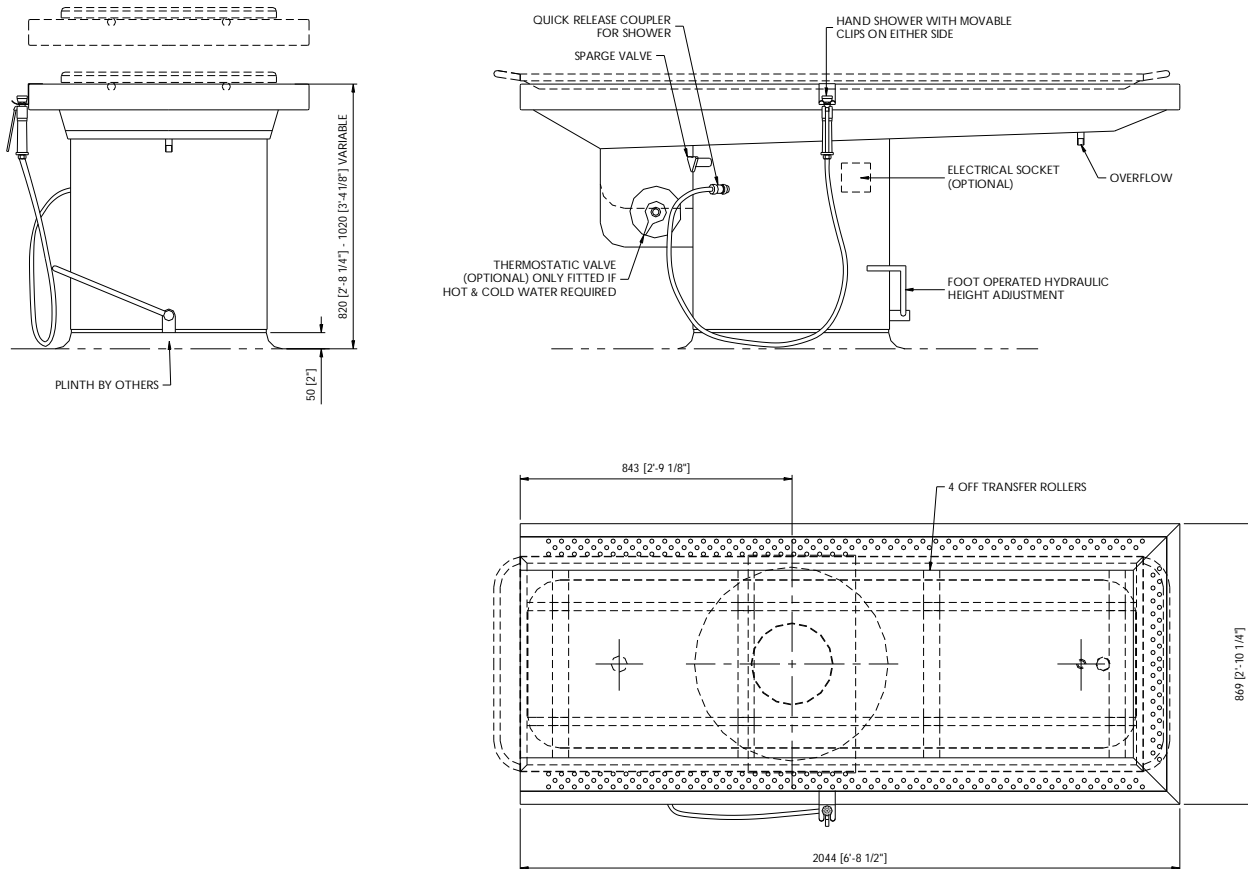


Rapid Transfer

- Unique Rapid Transfer System
- Allows tray to be rolled directly from body store to autopsy table
- Eliminates manual handling issues



Ventilated Autopsy Table



Material Specification

Materials of Construction

Sump:	2.5mm (12SWG) thick welded and polished 316 stainless steel
Plinth Covers:	1.5mm (16SWG) thick welded and polished 316 stainless steel
Base Plate:	6mm
Waste piping:	316 stainless steel
Sparge piping:	316 stainless steel
Rinse Control Valve:	Chrome plated rotary hand knob

Hydraulic Pedestal components

Support Channels:	Mild steel - zinc plated
Lift box:	Aluminium (black anodised)
Slide Bearing:	High carbon steel
Hydraulic Unit:	Combined foot pump and cylinder unit provides 200mm lift travel

Foot pedestal release allows safe lowering by means of integral check valve.

Technical Specification

Water Connections

Water Supply:	22mm Copper tube
Recommended water pressure:	1.0 Bar min and 2.0 Bar max
Waste Outlet:	2" BSP Screwed connection (stainless steel)
Sparge Water:	20 Litres/min at 2 bar total Maximum with no pressure drop
Cold Water:	25 Litres / min
Hot Water (if required):	12 Litres / min

Extraction Air

1000m³/hr at 120 Pascals

NOTE: PLINTHS PREPARED BY CONTRACTOR

Further information

If you require any further information on the product range available from AFOS, contact our Sales Department:

Tel: +44 (0) 1482 372100

Email: info@afosgroup.com

Rapid Transfer Autopsy Table with Sink

Bariatric Table

AFOS

Website: www.afosgroup.com / Email: info@afosgroup.com

Why AFOS

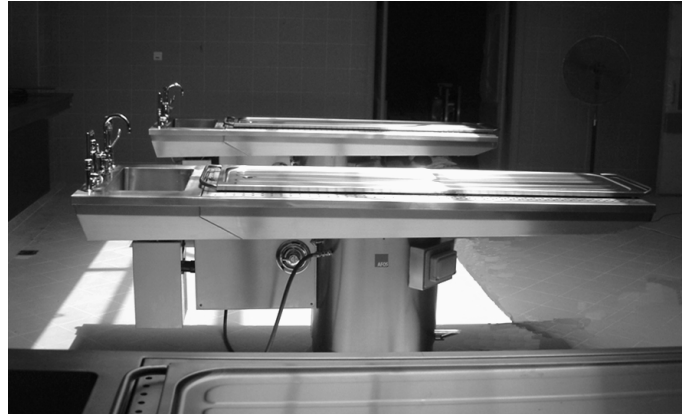
AFOS have a global reputation for the design and manufacture of high quality stainless steel medical equipment.

AFOS specialise in providing a total design, manufacture and installation service of mortuary and pathology equipment including autopsy tables and body storage.

AFOS have successfully provided solutions for global healthcare and are active in realising PFI opportunities throughout the UK.

AFOS not only meet existing health and safety standards, we exceed them thus maintaining maximum protection for the clinician.

The innovative AFOS down draught technology helps eliminate odours and controls harmful pathogens, ensuring the highest possible level of clinical effectiveness is achieved.



Overview

- Open Autopsy Table system
- Efficient extraction
- Easy to clean
- Ergonomic design
- Simple to install
- Finished surface withstands corrosive effects of chemicals

Ventilation

- Ventilation at the working position provides maximum safety and prevents clinician inhaling contaminated air
- Perimeter of table top perforated to provide air extraction directly down through the table, removing odours and fumes as close to the source as possible
- Plenum air extraction through telescopic duct
- Extraction spigot safely protected to ensure liquids can not drain into the duct work below

Standard Fittings Include:

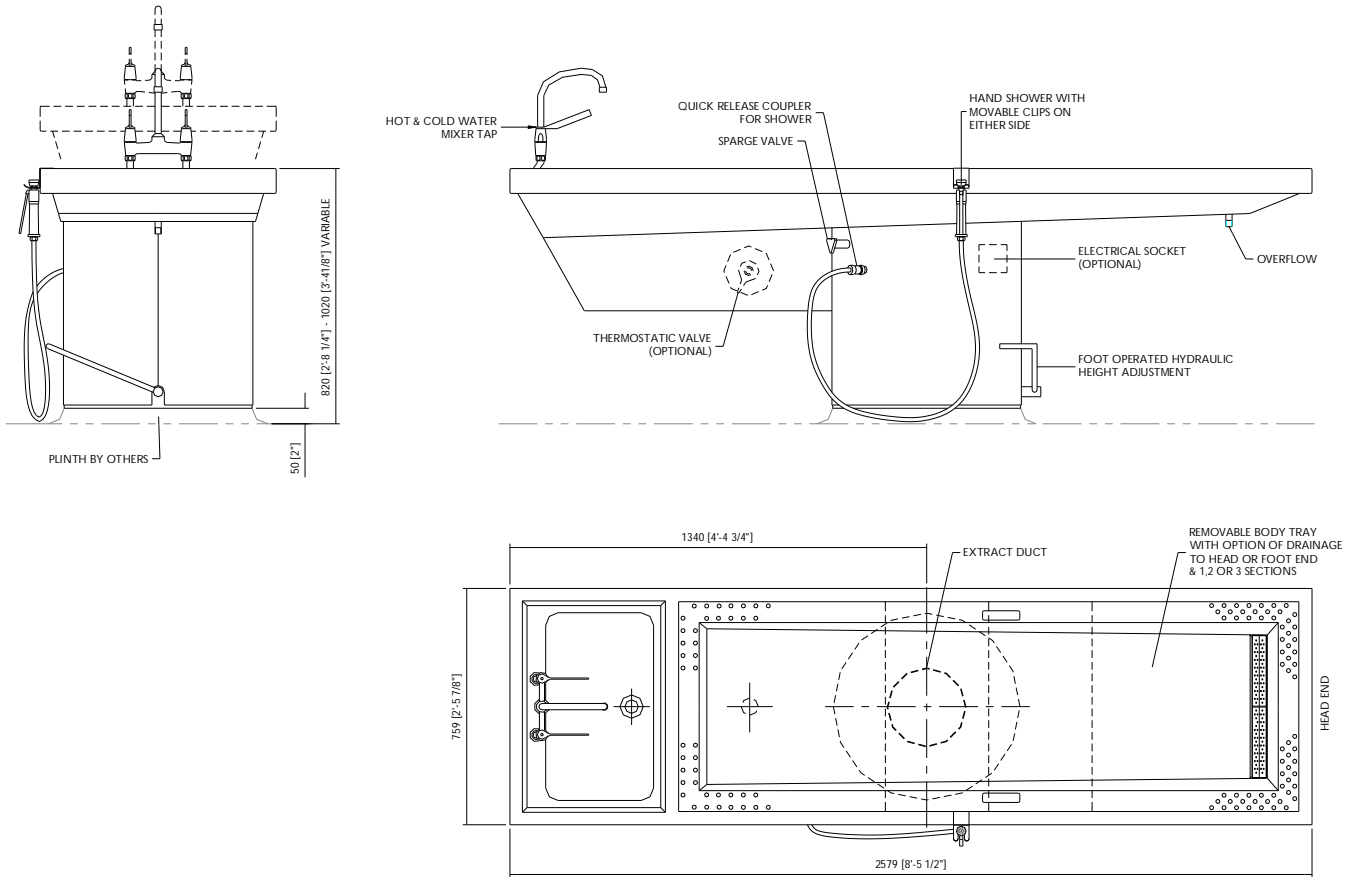
- Dished, 2 piece, stainless steel body tray supports the body and controls liquid movement
- Sump irrigation system
- Removable strainers set in the body tray for capture of solids
- Plenum liquid drainage pipe connections
- Drain grill together with an overflow outlet warns user of any blockage
- Simple trough with a minimum of protrusions for ease of cleaning
- Foot operated hydraulic adjuster
- Hot and cold mixer tap
- Hand operated shower hose (cold water)



Optional Extras Include:

- Electronic height adjustment
- Fixed height
- IP 65 rated electrical sockets
- Thermostatic mixing valve - if hot water option taken
- Single or 3 piece body tray in place of standard two piece
- 180° / 270° table rotation facility (Max 180° if electrical sockets included)
- Bariatric versions available
- Sink disposer (macerator/garborator)
- Above or Below Ground Services

Ventilated Autopsy Table with Sink



Material Specification

Materials of Construction

Body Tray:	2.0mm (14SWG) thick, welded and polished stainless steel
Sump:	2.5mm (12SWG) thick welded and polished 316 stainless steel
Plinth Covers:	1.5mm (16SWG) thick welded and polished 316 stainless steel
Base Plate:	6mm
Waste piping:	316 stainless steel
Sparge piping:	316 stainless steel
Rinse Control Valve:	Chrome plated rotary hand knob

Hydraulic Pedestal components

Support Channels:	Mild steel - zinc plated
Lift box:	Aluminium (black anodised)
Slide Bearing:	High carbon steel
Hydraulic Unit:	Combined foot pump and cylinder unit provides 200mm lift travel

Foot pedestal release allows safe lowering by means of integral check valve.

Technical Specification

Water Connections

Water Supply:	22mm Copper tube
Recommended water pressure:	1.0 Bar min and 2.0 Bar max
Water Outlet:	50mm tube (2" BSP screwed connection)
Waste Outlet:	2" BSP Screw connection (stainless steel)
Sparge Water:	20 litres/min at 2 bar total Maximum with no pressure drop
Cold Water:	25 litres/minute
Hot Water (if required):	12 litres/min

Extraction Air

1000m³/hr at 120 Pascals

NOTE: PLINTHS PREPARED BY CONTRACTOR

Further Information

If you require any further information on the product range available from AFOS, contact our Sales Department:

Tel: +44 (0) 1482 372100

Email: info@afosgroup.com

Ventilated Dissection Table

AFOS

Website: www.afosgroup.com / Email: info@afosgroup.com

Why AFOS

AFOS have a global reputation for the design and manufacture of high quality stainless steel medical equipment.

AFOS specialise in providing a total design, manufacture and installation service of mortuary and pathology equipment including autopsy tables and body storage. AFOS have successfully provided solutions for global healthcare and are active in realising PFI opportunities throughout the UK.

AFOS not only meet existing health and safety standards, we exceed them thus maintaining maximum protection for the clinician.

The innovative AFOS down draught technology helps eliminate odours and controls harmful pathogens, ensuring the highest possible level of clinical effectiveness is achieved.

Overview

- Designed for Pathological Dissection
- Links into fume extraction system
- Ventilates at working position
- Manufactured from high quality stainless steel
- All outside surfaces cleaned and polished to DP1 finish
- Recessed to allow space for feet when standing at the table

Ventilation

- Containment of hazards achieved by pulling air through peripheral edge of table
- Prevents clinician inhaling contaminated air
- Sump irrigation system
- Top removable to allow access to sump area for cleaning

Standard Fittings Include:

- Hot and Cold water wrist action mixer tap
- Cold water sump irrigation system
- Cold water work top irrigation system
- Quick release water outlet
- One hand trigger operated shower and hose
- 2 piece dissection tray with peripheral ventilation
- Easily removable front and side panels as required
- Designed for floor fixing, recommended to be mounted on a 50mm (2") high plinth to prevent water ingress

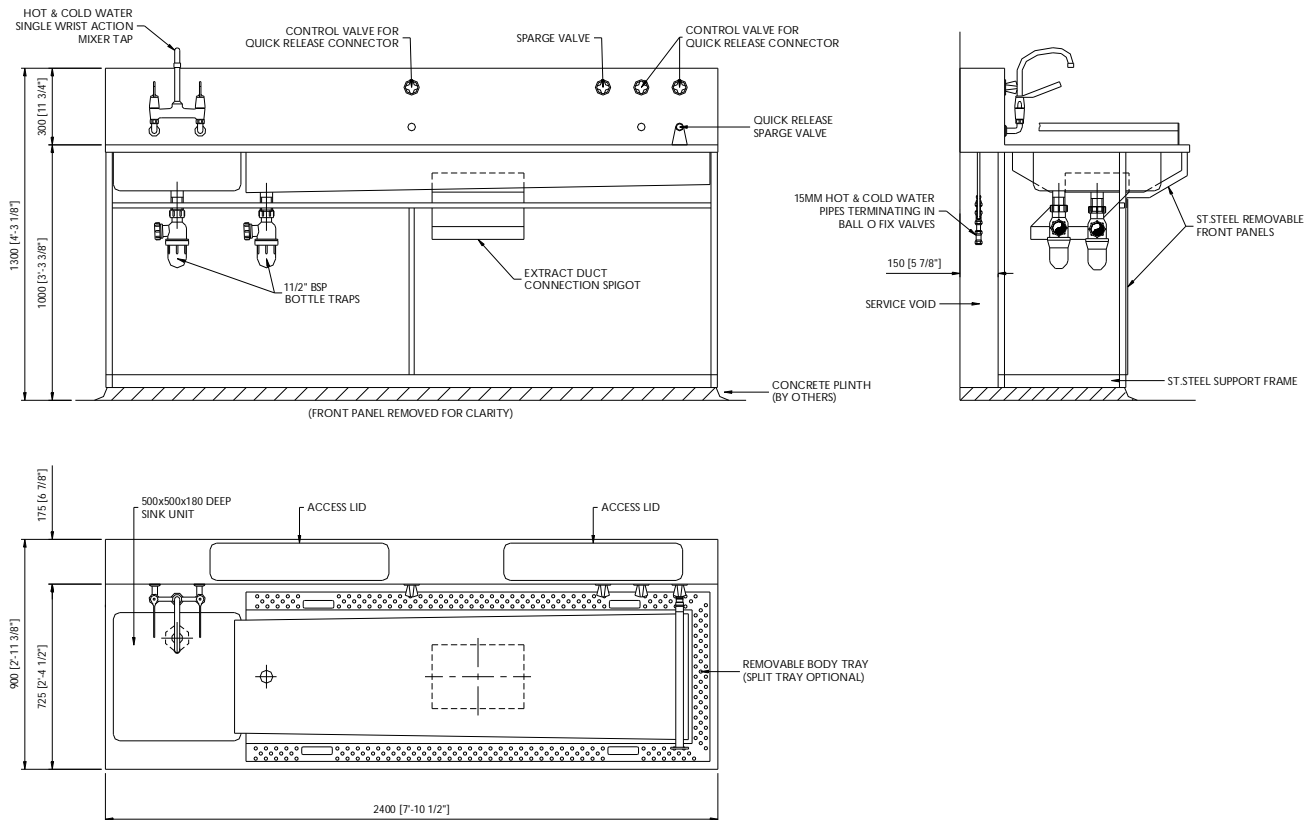


Picture shows sluice unit, fitted as an optional extra

Optional Extras Include:

- Electronic height adjustment
- Sink with Integral Sluice
- Macerator fitted to sink
- Formalin tap
- Single or three piece Dissection tray in place of standard 2 piece
- IP 65 rated electrical socket
- Available in right hand and left hand versions
- Thermostatic mixer valve
- Fan starter alarm and/or warning system

Ventilated Dissection Table



Material Specification

Work Surfaces

1.5/2.0mm (14SWG) 316 stainless steel

Front Cover

1.2mm (18SWG) 304 stainless steel

Framework

25mm x 25mm RHS-304 grade stainless steel

50mm x 25mm RHS-304 grade stainless steel

Sink / Sump

1.5mm (16SWG) thick stainless welded and polished
316 stainless steel

Rinse Control valve and hot/cold mixer tap

Chrome plated brass

Waste Piping

38 / 51mm acid resistant mechanical Vulcathene

Services

Services to the Ventilated Dissection Table provided, are as scheduled. All scheduled services are finished with 22mm copper pipe tails and waste to sump 1½" BSP, waste to Sink 2" BSP.

Technical Specification

Water Pressure

Recommended water pressure: 1.0 Bar min and 2.0 Bar max
22mm Copper pipe

Total water usage at maximum:-

Hot: 15 litres/min
Cold: 40 litres/min (50 litres/min if sluice fitted)

Waste Outlet

Sink: 1½" BSP screwed connection
Sump: 1½" BSP screwed connection

Sluice (when supplied): 2" BSP/NPT screwed connection.
Sluice cistern can be mounted within the integral up-stand if required.

Extract air: 1000m³/hr at 120 Pascals

Further information

If you require any further information on the product range available from AFOS, contact our Sales Department:

Tel: +44 (0) 1482 372100

Email: info@afosgroup.com

Sluice Sink Unit

AFOS

Website: www.afosgroup.com / Email: info@afosgroup.com

Why AFOS

AFOS have a global reputation for the design and manufacture of high quality stainless steel medical equipment.

AFOS specialise in providing a total design, manufacture and installation service of mortuary and pathology equipment including autopsy tables and body storage.

AFOS have successfully provided solutions for global healthcare and are active in realising PFI opportunities throughout the UK.

AFOS not only meet existing health and safety standards, we exceed them thus maintaining maximum protection for the clinician.

The innovative AFOS down draught technology helps eliminate odours and controls harmful pathogens, ensuring the highest possible level of clinical effectiveness is achieved.

Overview

- Designed for disposal of large amounts of matter that cannot be disposed of via a normal sink
- Provides complete open bench working
- High quality stainless steel throughout
- Supported on a stainless steel square tube frame
- Adjustable feet
- Integral cistern for flushing the sluice
- Hinged perforated nylon cover (removable)
- Hot and cold lever action mixer tap
- Recessed to allow room for feet when standing at the table

Services

Services to the AFOS Sluice Sink Unit are as scheduled. All services are finished with 15mm copper pipe tails and 2" BSP male to sluice.

Technical Specification

Dimensions:-

Length: 800mm

Depth: 750mm

Height: 1000mm

NB: Can be designed to fit available space

Optional Extras

- Variety of Sink sizes and tap fittings available
- Peninsular frame available

Further Information

If you require any further information on the AFOS product range, contact our Sales Department

Tel: + 44 (0)1482 372100

Email: info@afosgroup.com



AFOS reserve the right to alter the specifications above without notice